



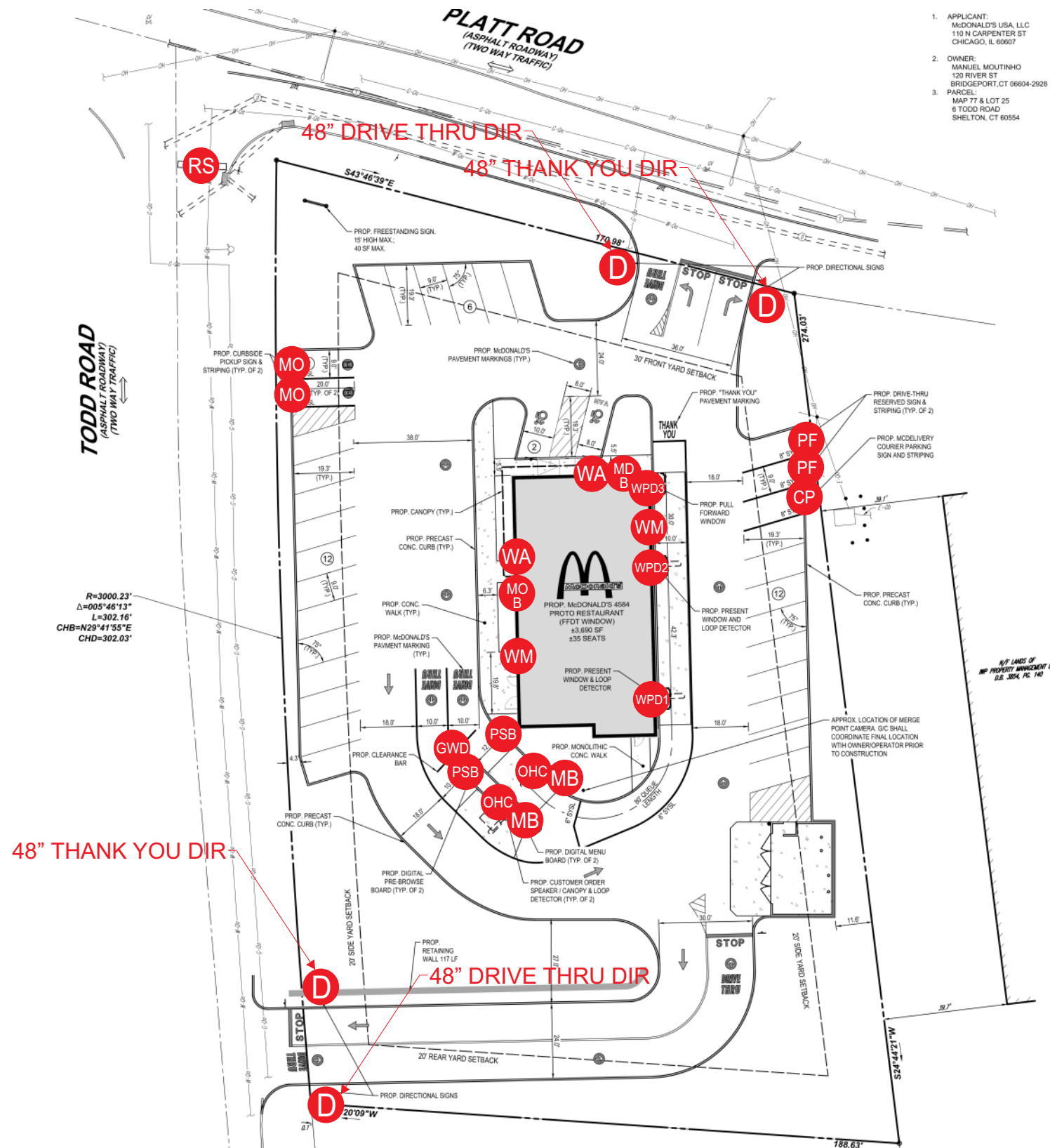
# McDonald's

#41218 - 6 TODD RD - SHELTON, CT 06484

## SIGN PROGRAM BOOK



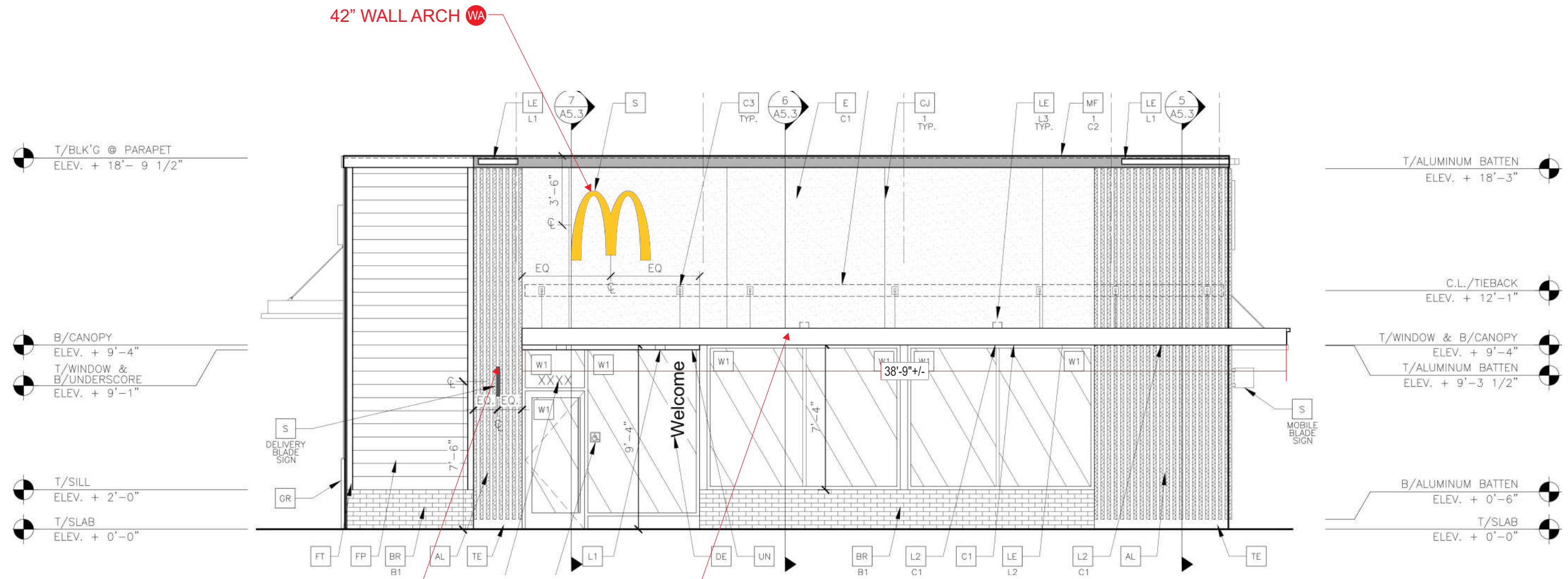
VICINITY MAP  
NTS



1. APPLICANT:  
MCDONALD'S USA, LLC  
110 N CARPENTER ST  
CHICAGO, IL 60607
2. OWNER:  
MANUEL MOUTINHO  
120 RIVER ST  
BRIDGEPORT, CT 06604-2928
3. PARCEL:  
MAP 77 & LOT 25  
6 TODD ROAD  
SHELTON, CT 06554

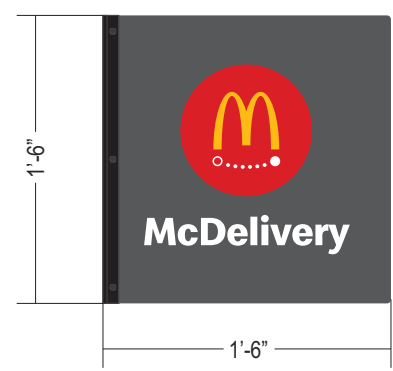
- PSB ..... PRE-SELL BOARD (QTY 2)
- GWD ..... DOUBLE ARM GATEWAY
- OHC ..... ORDER HERE CANOPY (QTY 2)
- MB ..... MENU BOARD (QTY 2)
- WPD1 ..... WINDOW POSITION DECAL 1
- WPD2 ..... WINDOW POSITION DECAL 2
- WPD3 ..... WINDOW POSITION DECAL 3
- PF ..... PULL FORWARD SIGN (QTY 2)
- MO ..... MOBILE ORDER SIGN (QTY 2)
- CP ..... COURIER PARKING SIGN (QTY 1)
- WA ..... WALL ARCH (QTY 2)
- WM ..... 24" WORDMARK (QTY 2)
- MOB ..... MOBILE ORDER BLADE SIGN
- MDB ..... MCDelivery BLADE SIGN
- D ..... DIRECTIONAL (QTY 4)
- RS ..... ROAD SIGN

**FRONT ELEVATION**  
SCALE: 3/16" = 1'-0"

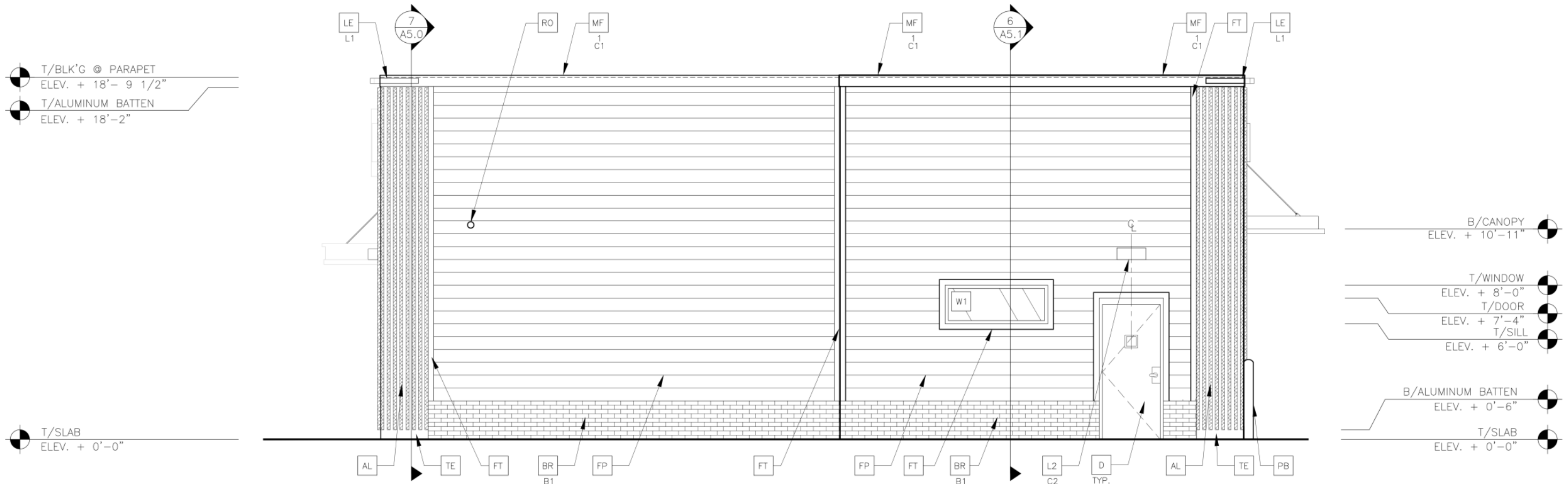


**MD B** MCDELIVERY BLADE SIGN

LED CANOPY FASCIA



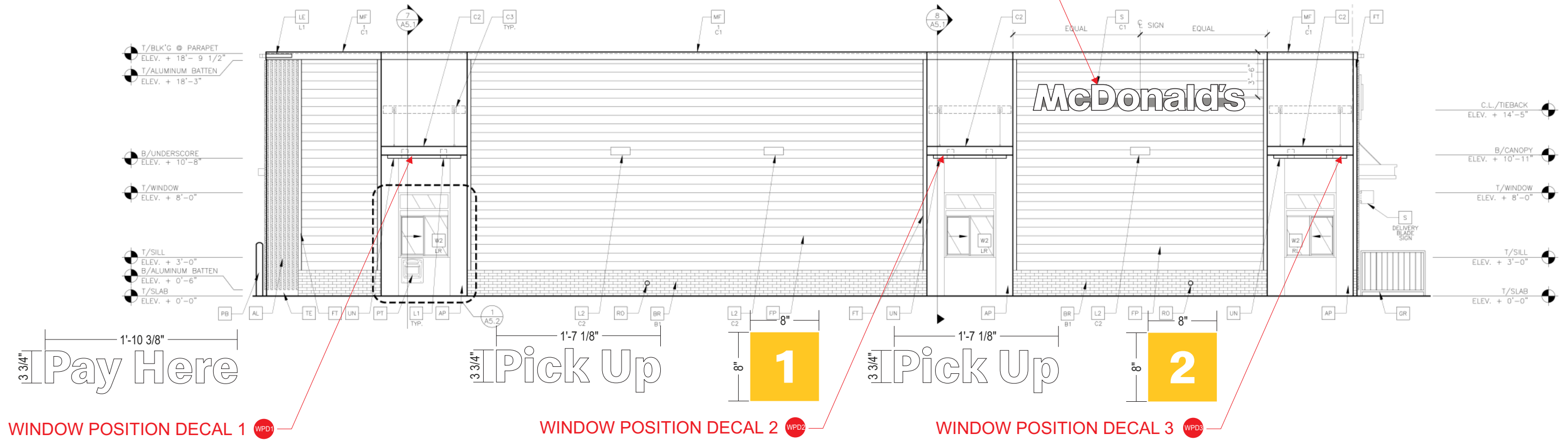
**REAR ELEVATION**  
SCALE: 3/16" = 1'-0"



# DRIVE-THRU ELEVATION

SCALE: 1/8" = 1'-0"

24" WORDMARK WM



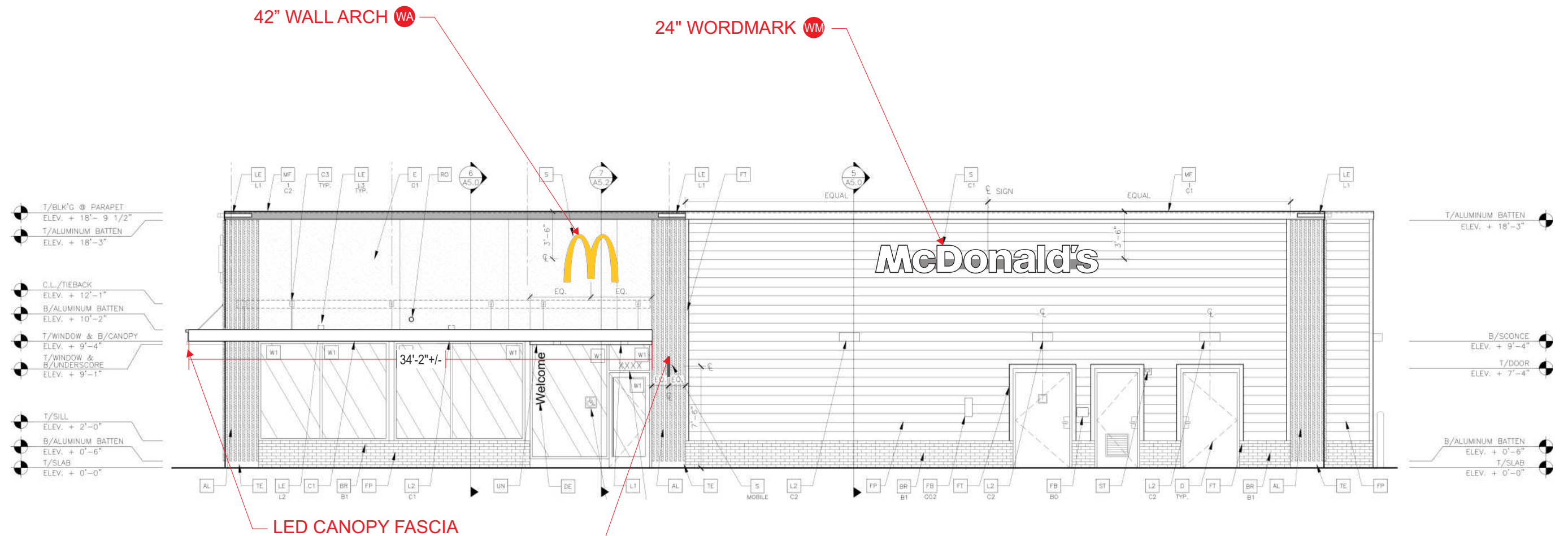
WINDOW POSITION DECAL 1 WPD1

WINDOW POSITION DECAL 2 WPD2

WINDOW POSITION DECAL 3 WPD3

# NON DRIVE-THRU ELEVATION

SCALE: 1/8" = 1'-0"

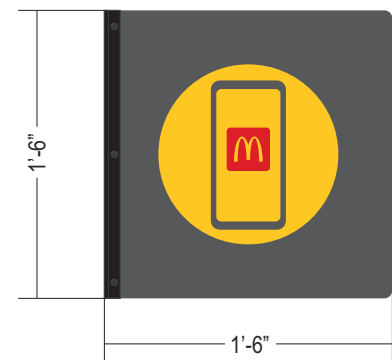


42" WALL ARCH WA

24" WORDMARK WM

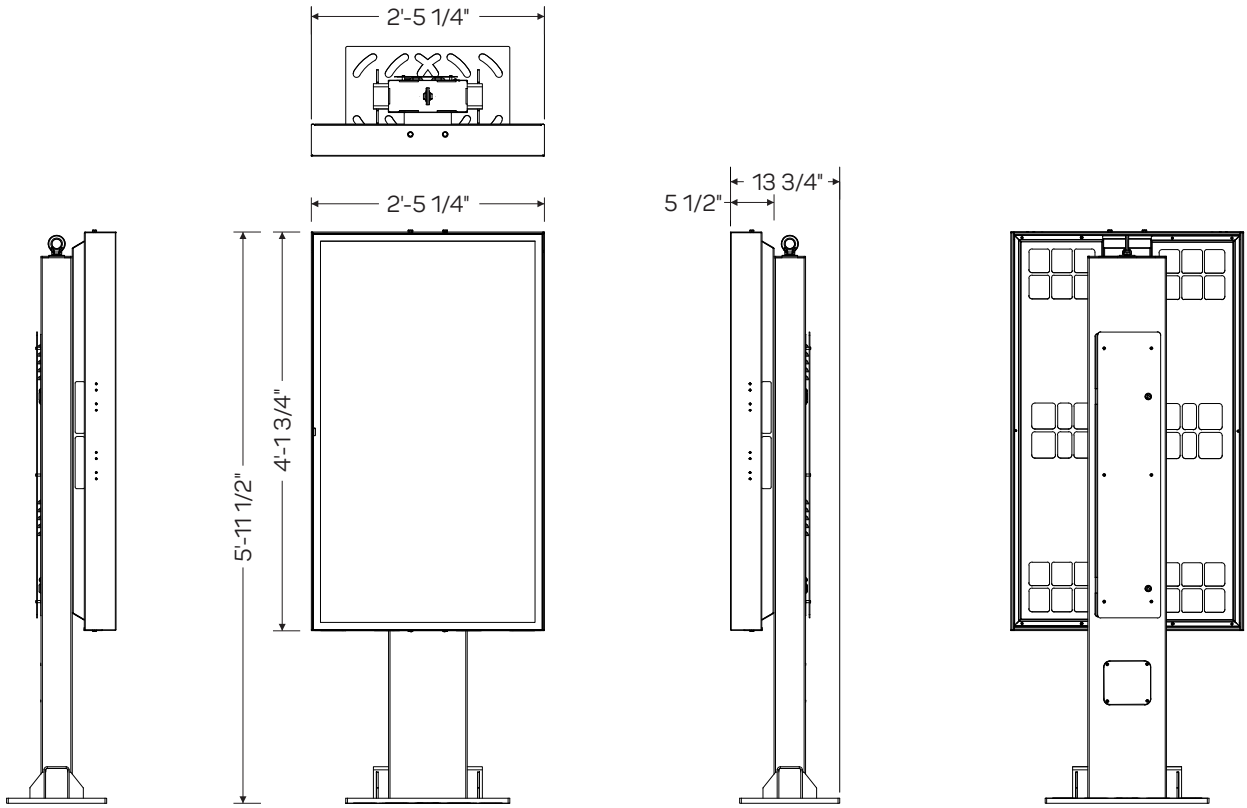
LED CANOPY FASCIA

MOB MOBILE ORDER BLADE SIGN



<b>Frame</b>	<b>Hot dip galvanized + anti-graffiti powder coated steel</b>
<b>Brackets</b>	<b>Hot dip galvanized</b>
<b>Panels</b>	<b>Aluminium + anti-graffiti powdercoat</b>
<b>Access fasteners</b>	<b>Security Torx</b>
<b>Media player access</b>	<b>Dual camlock</b>
<b>Eyebolt</b>	<b>Stainless crane on</b>
<b>Baseplate</b>	<b>McDonalds spec triple mounting pattern option</b>

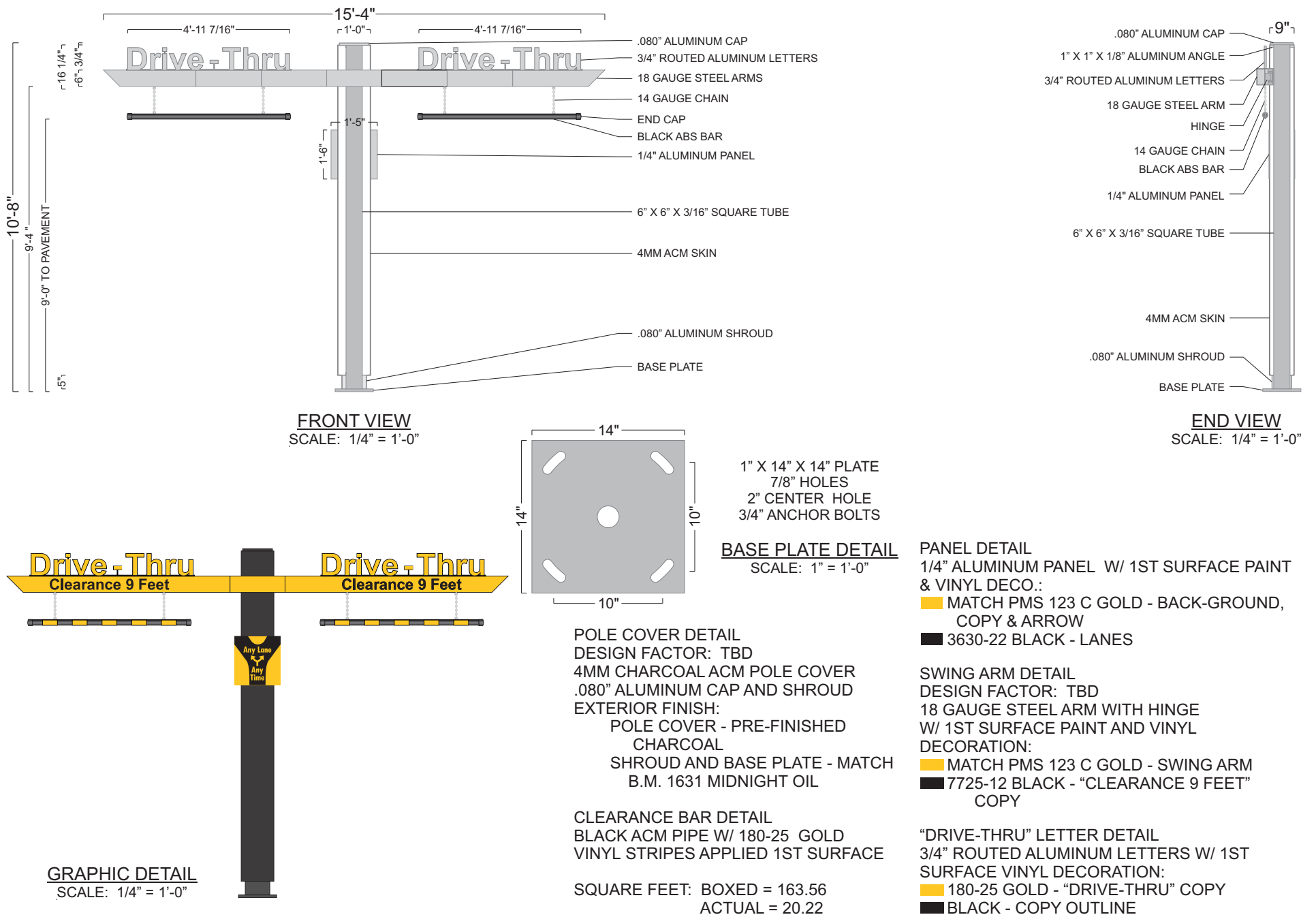
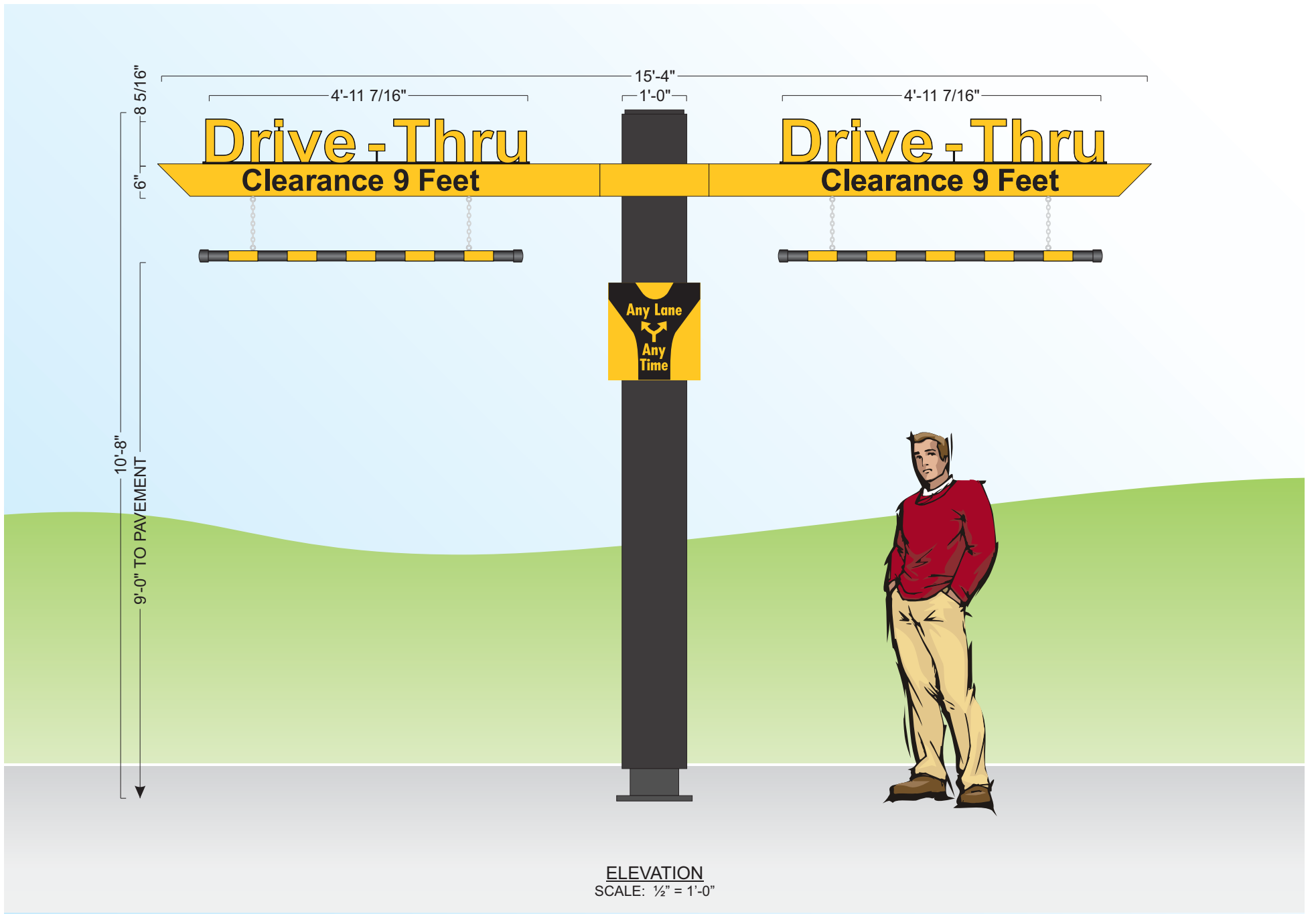
<b>ODMB 02 SINGLE</b>	
<b>Displays</b>	<b>Samsung OH55F</b>
<b>Hardware</b>	<b>Stratocache Spectra NG</b>
<b>Heating/Cooling</b>	<b>Watlow 100W Heater Sunon 120mm AC Fan</b>
<b>Power Supply Units</b>	<b>60W DC Media Player Power Supply</b>
<b>Power Cables</b>	<b>1 x IEC Power Cable</b>
<b>Electrical Components</b>	<b>Isolated Ground 2 x IG Receptacles 20A Circuit Breaker</b>
<b>Communication Cables</b>	<b>2 x HDMI 1 x RS232</b>
<b>Certification</b>	<b>UL Certified</b>



SCALE: 1/2" = 1'-0"



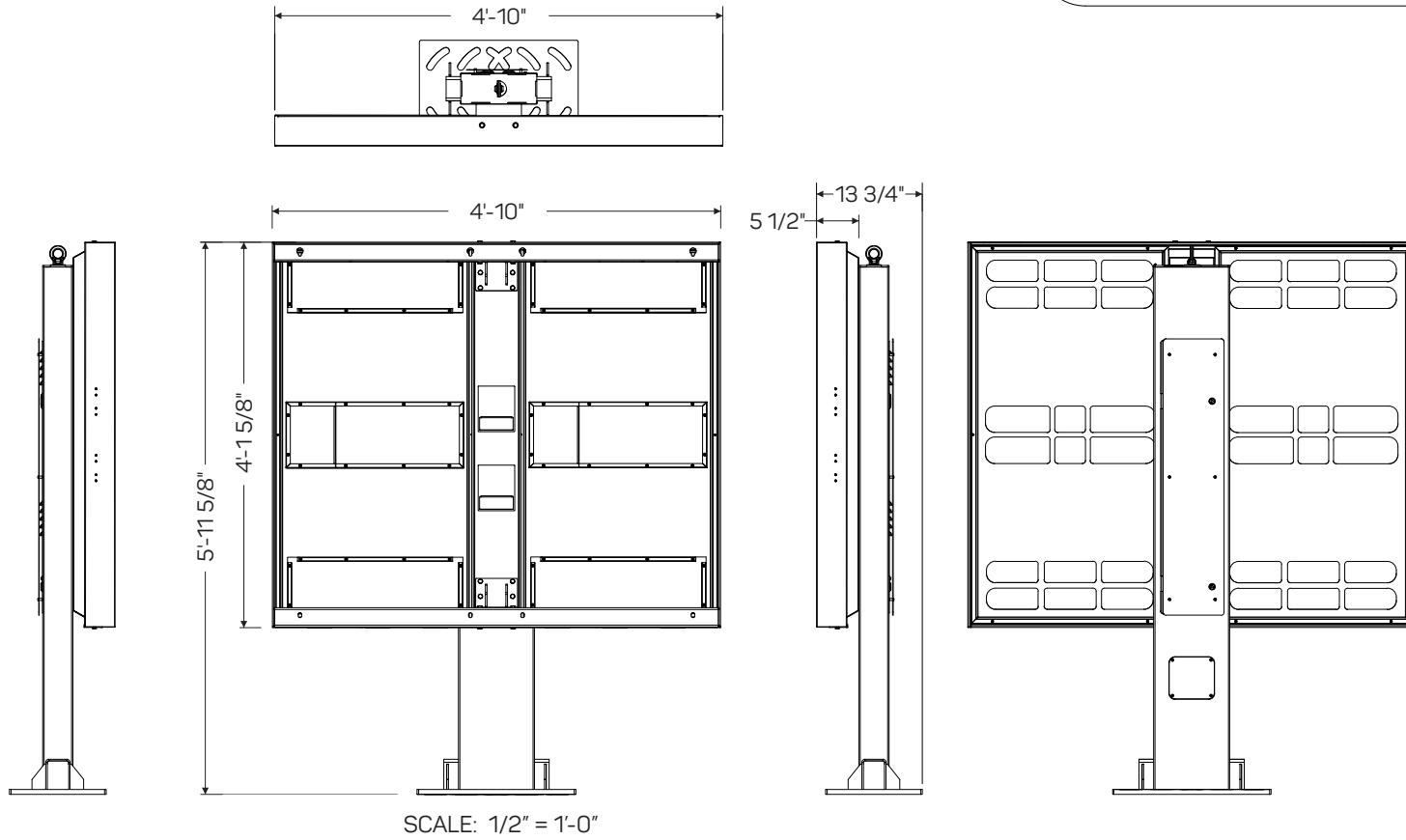
GRAPHIC DETAIL  
NOT TO SCALE



<b>Frame</b>	<b>Hot dip galvanized + anti-graffiti powder coated steel</b>
<b>Brackets</b>	<b>Hot dip galvanized</b>
<b>Panels</b>	<b>Aluminium + anti-graffiti powdercoat</b>
<b>Access fasteners</b>	<b>Security Torx</b>
<b>Media player access</b>	<b>Dual camlock</b>
<b>Eyebolt</b>	<b>Stainless crane on</b>
<b>Baseplate</b>	<b>McDonalds spec triple mounting pattern option</b>

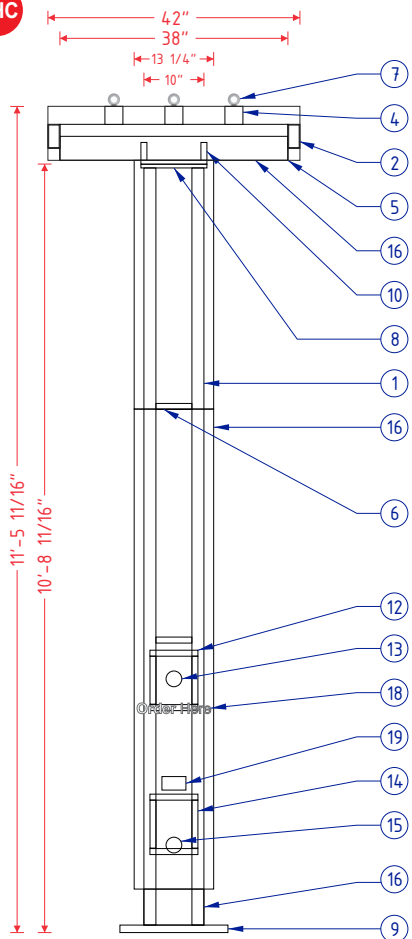
## ODMB 02 DOUBLE

<b>Displays</b>	<b>2 x Samsung OH55F</b>
<b>Hardware</b>	<b>2 x Stratacache Spectra NG</b>
<b>Heating/Cooling</b>	<b>Watlow 100W Heater Sunon 120mm AC Fan</b>
<b>Power Supply Units</b>	<b>2 x 60W DC Media Player Power Supply</b>
<b>Power Cables</b>	<b>2 x IEC Power Cables</b>
<b>Electrical Components</b>	<b>Isolated Ground 2 x IG Receptacles 20A Circuit Breaker</b>
<b>Communication Cables</b>	<b>4 x HDMI 2 x RS232</b>
<b>Certification</b>	<b>UL Certified</b>



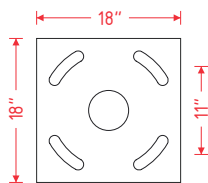
GRAPHIC DETAIL  
NOT TO SCALE

OHC

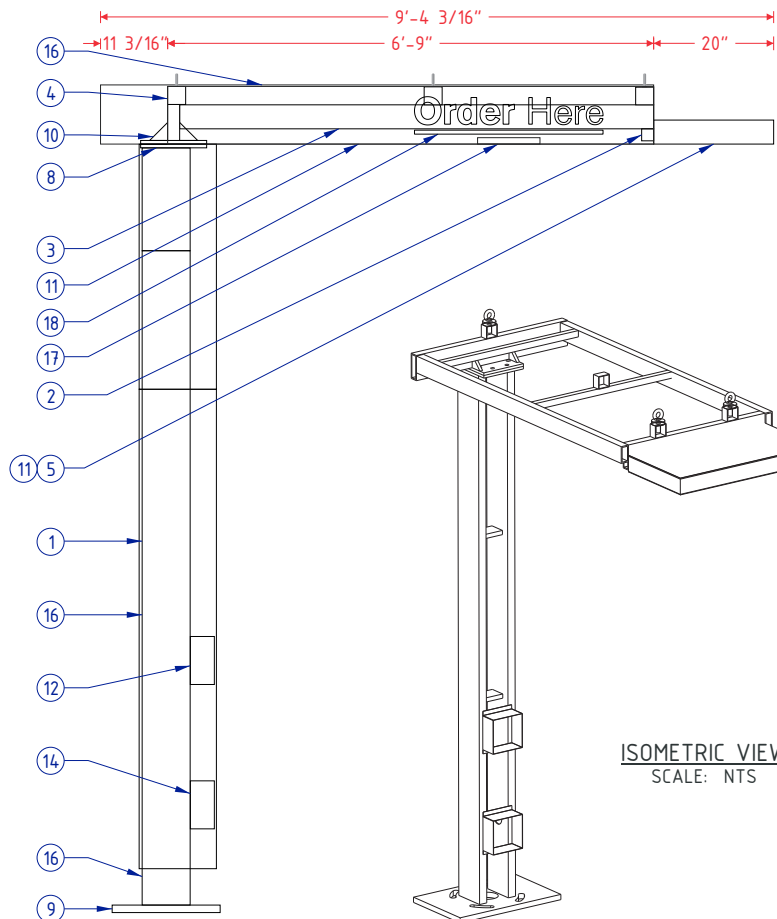


**FRAME & LAMP DETAIL**  
SCALE: 3/8" = 1'-0"

18" X 18" X 1" PLATE  
1 3/8" SLOTTED HOLES  
1" BOLTS

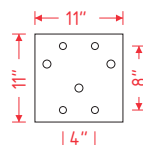


**PLATE DETAIL**  
SCALE: 1/2" = 1'-0"

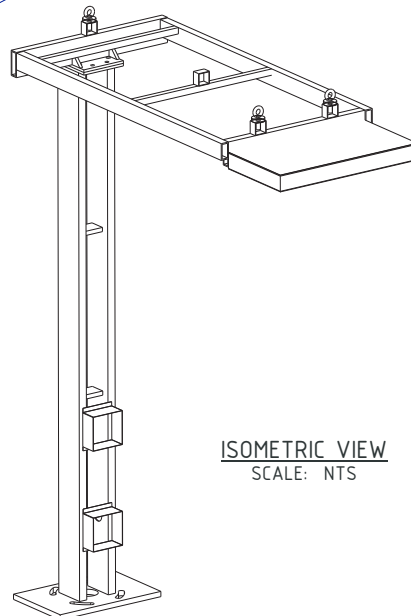


**CROSS SECTION A-A**  
SCALE: 3/8" = 1'-0"

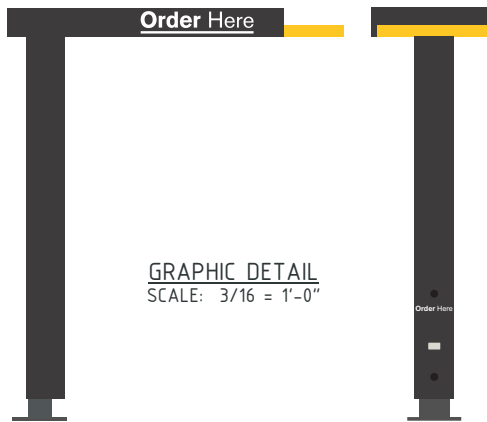
11" X 11" X 5/8" PLATE  
3/4" HOLES  
5/8" BOLTS



**PLATE DETAIL**  
SCALE: 1/2" = 1'-0"



**ISOMETRIC VIEW**  
SCALE: NTS



**GRAPHIC DETAIL**  
SCALE: 3/16" = 1'-0"

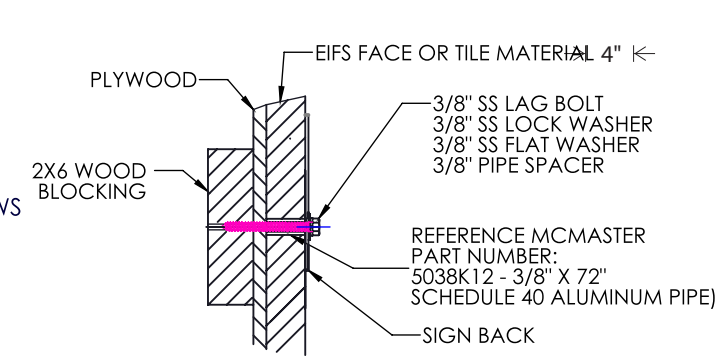
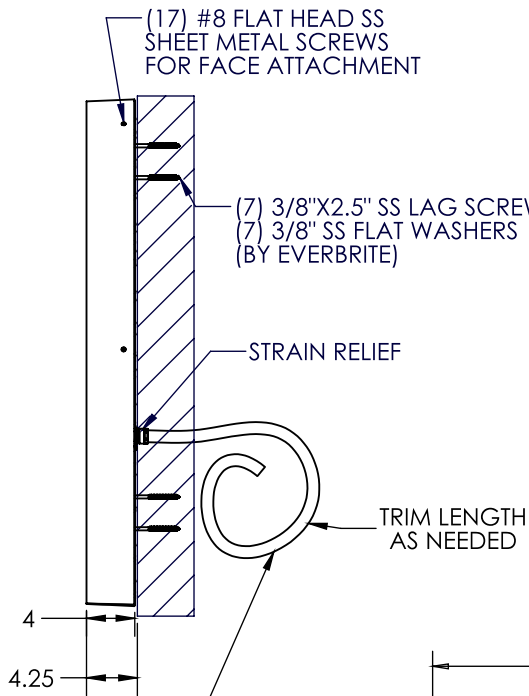
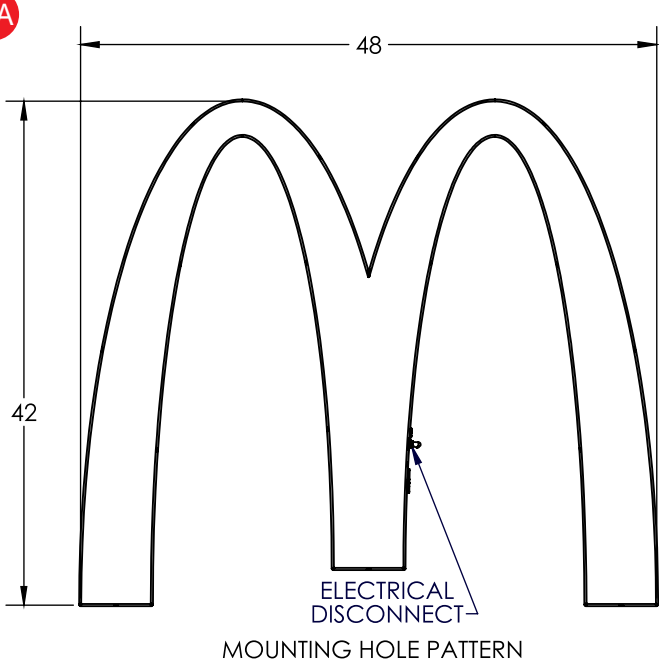
MCDONALD'S SPRINGBOARD OHC SPECIFICATIONS

NO.	PART/DESCRIPTION
1	2" X 8" X 3/16" RECTANGULAR TUBE
2	2" X 6" X 1/4" RECTANGULAR TUBE
3	2" X 4" X 1/4" RECTANGULAR TUBE
4	3" X 3" X 3/16" SQUARE TUBE
5	1" X 4" C-CHANNEL
6	2" X 8" X 3/16" RECTANGULAR TUBE
7	1/2" EYEBOLTS (3)
8	11" X 11" X 5/8" TOP PLATES (2) (SEE PLATE DETAILS)
9	18" X 28" X 1" BASE PLATE (SEE PLATE DETAILS)
10	3" X 3" X 3/4" GUSSETS
11	.063" ALUMINUM SKIN
12	.063" ALUMINUM BENT SP10 SPEAKER BOX HOLDER
13	SPEAKER OPENING
14	.063" ALUMINUM BENT DM 4/DM 5 MICROPHONE BOX HOLDER
15	MICROPHONE OPENING
16	ACM CLADDING
17	SLOAN LED LIGHT WITH POWER SUPPLY
18	3M 380-10 REFLECTIVE WHITE FILM 1ST SURFACE
19	ADA STICKER

NOTES:

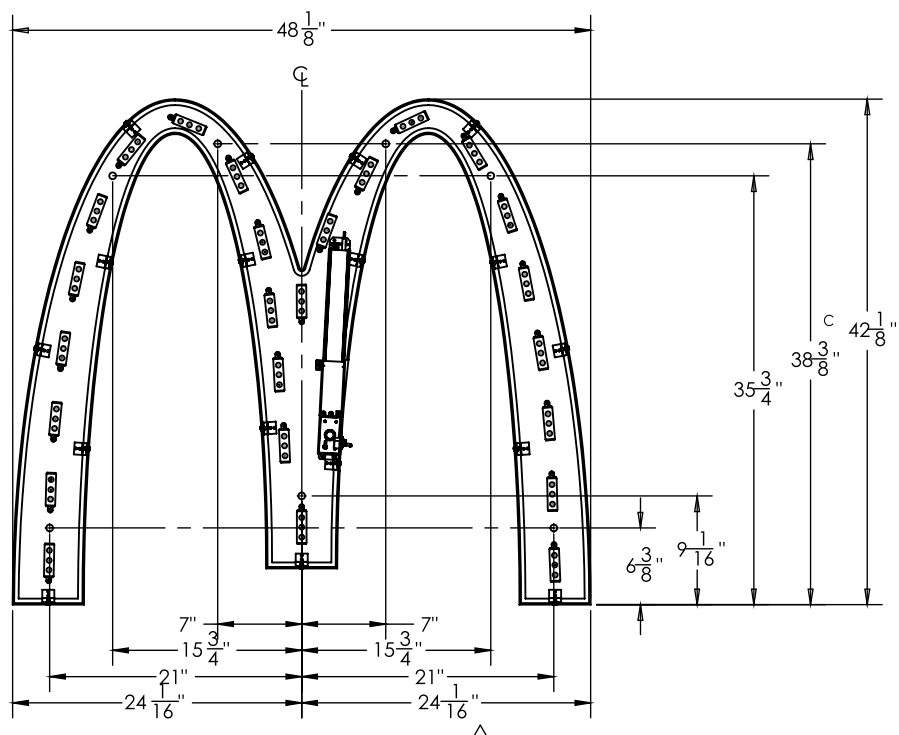
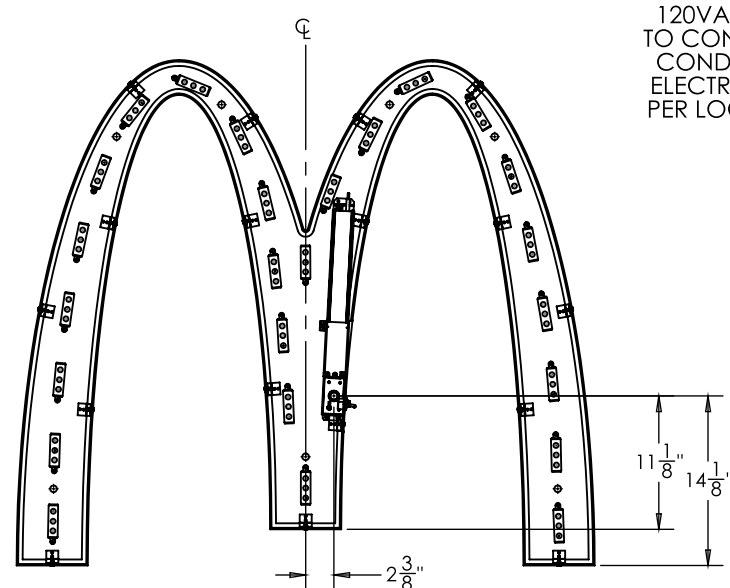
- 2" X 8" X 3/16 RECTANGULAR TUBE FRAME
- ACM AND .063" ALUMINUM SKIN
- EXTERIOR FINISH:  
BASE PLATE - PAINT BM 1631 MIDNIGHT OIL  
TUBE AND TOP ACM - PAINT CHARCOAL  
SPRINGBOARD TIP AND UNDERSIDE - PAINT PMS 123 C GOLD
- ACM/SKIN REMOVABLE FOR SERVICE
- U.L. LISTED
- (1) 20A / 120V CIRCUIT REQUIRED

WA

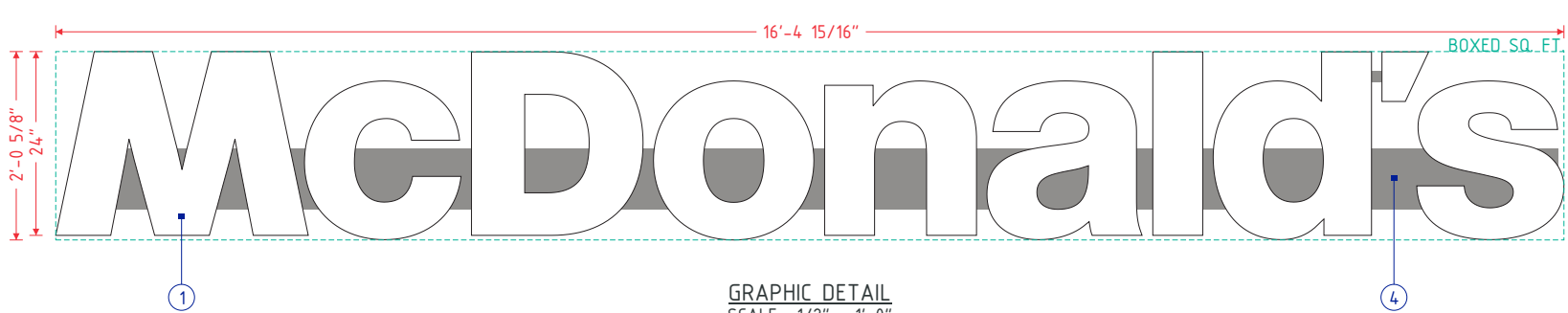


**INPUT:** 120 VAC, 60Hz, 0.8 AMPS MAX  
**OUTPUT:** 12VDC, VOLTAGE REGULATED, 20.5 WATT, APPROX 1.7 AMP.  
**OPERATING ENVIRONMENT:** WET, DAMP, DAY -35 DEG C TO +70 DEC C  
**WIRING:** SIGN IS TO BE INSTALLED IN ACCORDANCE WITH THE REQUIREMENTS OF ARTICLE 600 OF THE NATIONAL ELECTRICAL CODE AND ALL OTHER APPLICABLE LOCAL CODES. THIS INCLUDES THE PROPER GROUNDING OF THE SIGN.  
**SQUARE FOOT AREA:** ACTUAL: 5 SQ FT. BOXED: 14SQ FT.  
**DESIGNED WINDLOAD:** 150 MPH WIND SPEED 3-SECOND GUST EXPOSURE. COMPLIANT

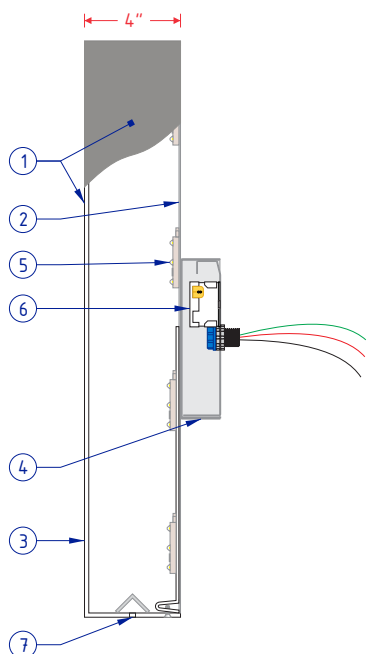
UL LISTED CONDUIT AND 120VAC PRIMARY POWER TO CONNECT TO PROVIDED CONDUIT AND WIRING BY ELECTRICAL CONTRACTOR PER LOCAL AND NATIONAL CODES



WM



GRAPHIC DETAIL  
SCALE: 1/2" = 1'-0"

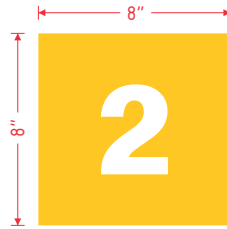
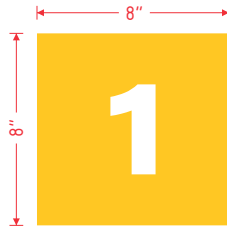


CHANNEL LETTER DETAIL  
SCALE: 1 1/2" = 1'-0"

SPECIFICATIONS	
NO.	PART/DESCRIPTION
1	.177" MOLDED WHITE MODIFIED ACRYLIC FACES/LETTER BODIES WITH SIDES PAINTED MCDONALD'S SILVER (OPAQUE) ON EXTERIOR
2	.040" ALUMINUM BACKS
3	.118" WHITE ABS INSERTS
4	ALUMINUM RACEWAY PAINTED MCDONALD'S SILVER
5	GE 5000K WHITE LED'S AS REQUIRED
6	LED POWER SUPPLY LOCATED INSIDE RACEWAY
7	DRAIN HOLES WITH BAFFLES AS REQUIRED

NOTES:  
 - LETTER INTERIORS TO BE WHITE  
 - U.L. LISTED

1'-10 3/8"  
 3 3/4"  
**Pay Here**  
 1'-7 1/8"  
 3 3/4"  
**Pick Up**



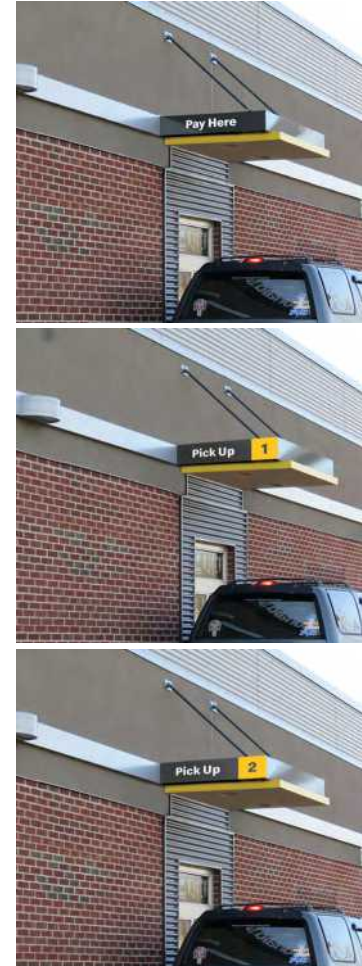
**GRAPHIC DETAILS**  
 SCALE: 1 1/2" = 1'-0"



**TRELLIS POSITIONING DETAIL**  
 SCALE: 1 1/2" = 1'-0"

**SPECIFICATIONS**

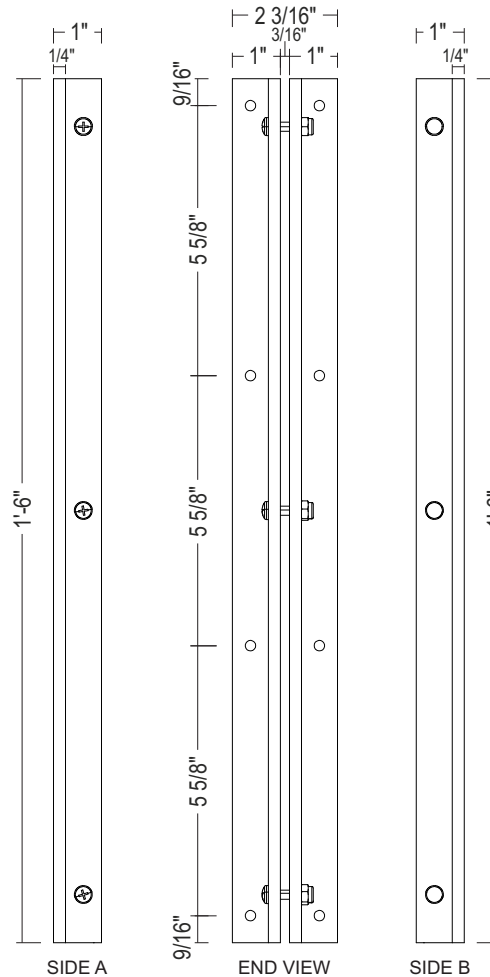
- 3M 7725-20 MATTE WHITE OPAQUE FILM
- 3M 7725-25 SUNFLOWER OPAQUE FILM
- FONT = SPEEDEE BOLD



SHOWN APPLIED ON TRELLIS



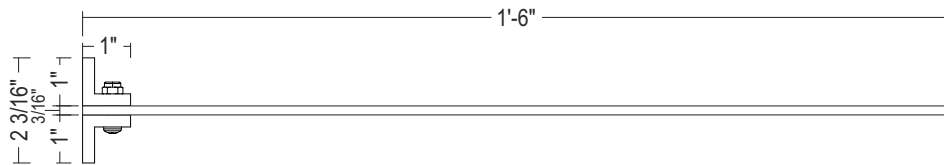
GRAPHIC DETAIL  
SCALE: 3" = 1'-0"



MOUNTING BRACKET DETAIL  
SCALE: 3" = 1'-0"

SPECIFICATIONS:

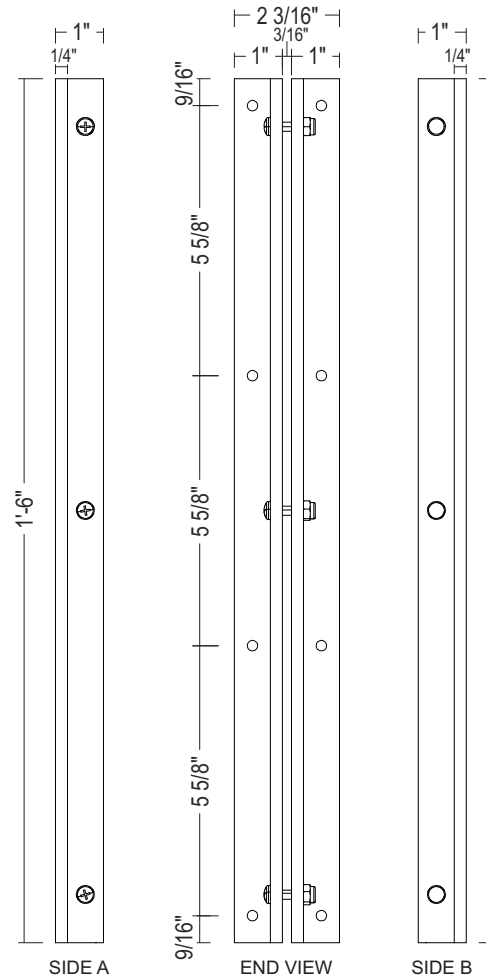
- MOUNTING BRACKET:  
(2) 1" X 1" X 1/4" X 18" ALUMINUM ANGLES;  
POWDER COATED BLACK
- FACE ATTACHMENT: 10-24 X .75" THREAD-  
CUTTING SCREWS WITH NYLOCK NUTS,  
POWDER COATED BLACK
- .187"ALUMINUM FACE, POWDER COATED TO  
MATCH NG CHARCOAL
- DECORATION (BOTH SIDES):  
3M 3630-33 RED FILM  
3M 7725-25 YELLOW FILM
- BOXED SIGN AREA: 2.25 SQ FT



PLAN VIEW  
SCALE: 3" = 1'-0"



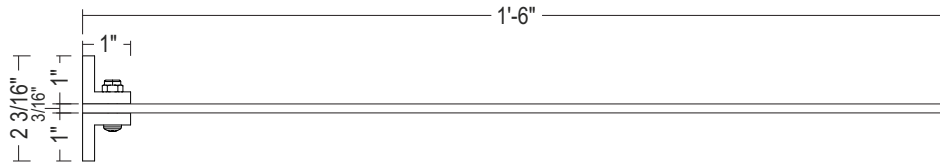
GRAPHIC DETAIL  
SCALE: 3" = 1'-0"



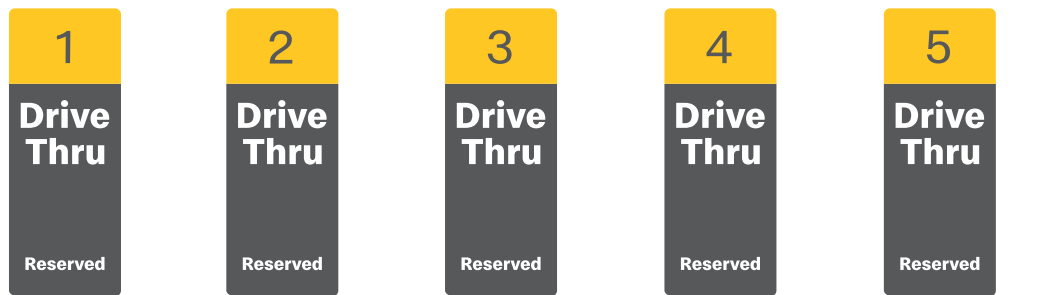
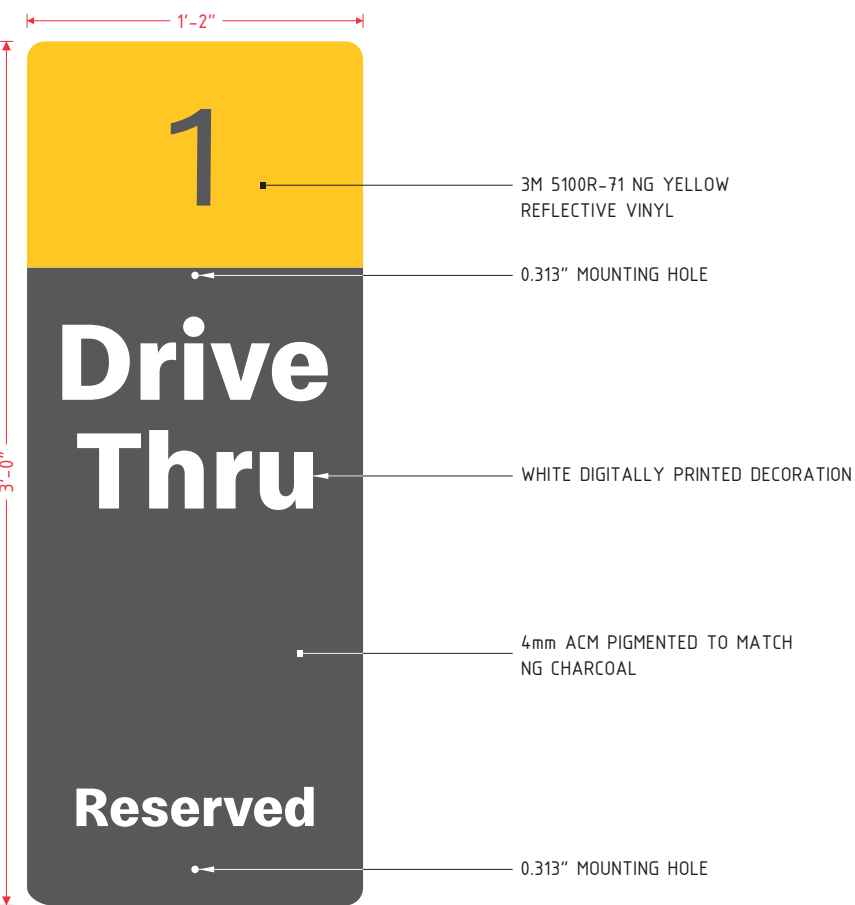
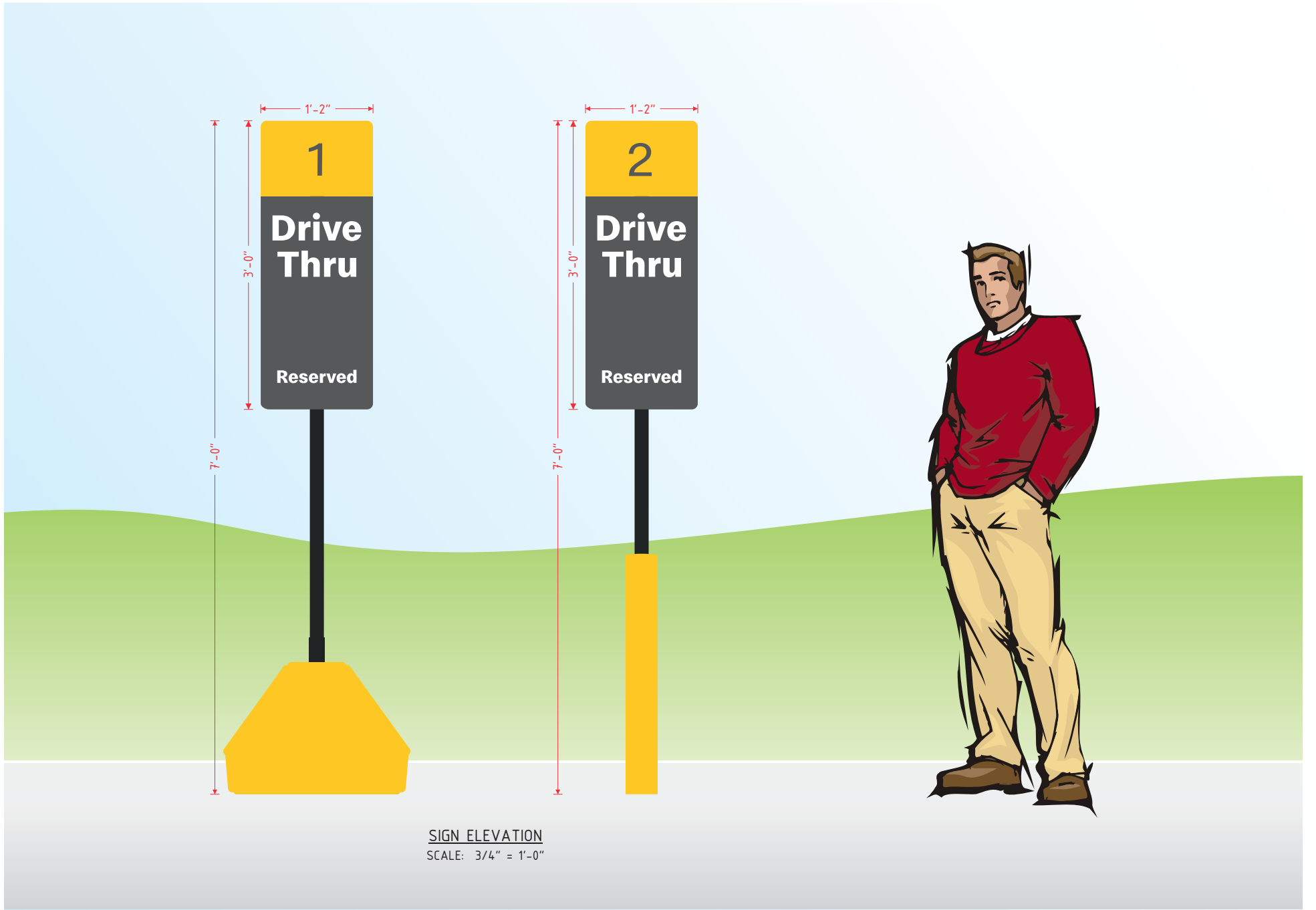
MOUNTING BRACKET DETAIL  
SCALE: 3" = 1'-0"

SPECIFICATIONS:

- MOUNTING BRACKET:  
(2) 1" X 1" X 1/4" X 18" ALUMINUM ANGLES;  
POWDER COATED BLACK
- FACE ATTACHMENT: 10-24 X .75" THREAD-  
CUTTING SCREWS WITH NYLOCK NUTS,  
POWDER COATED BLACK
- .187" ALUMINUM FACE, POWDER COATED TO  
MATCH NG CHARCOAL
- DECORATION (BOTH SIDES):  
3M 3630-33 RED FILM  
3M 7725-25 YELLOW FILM  
3M 7725-20 WHITE FILM
- BOXED SIGN AREA: 2.25 SQ FT

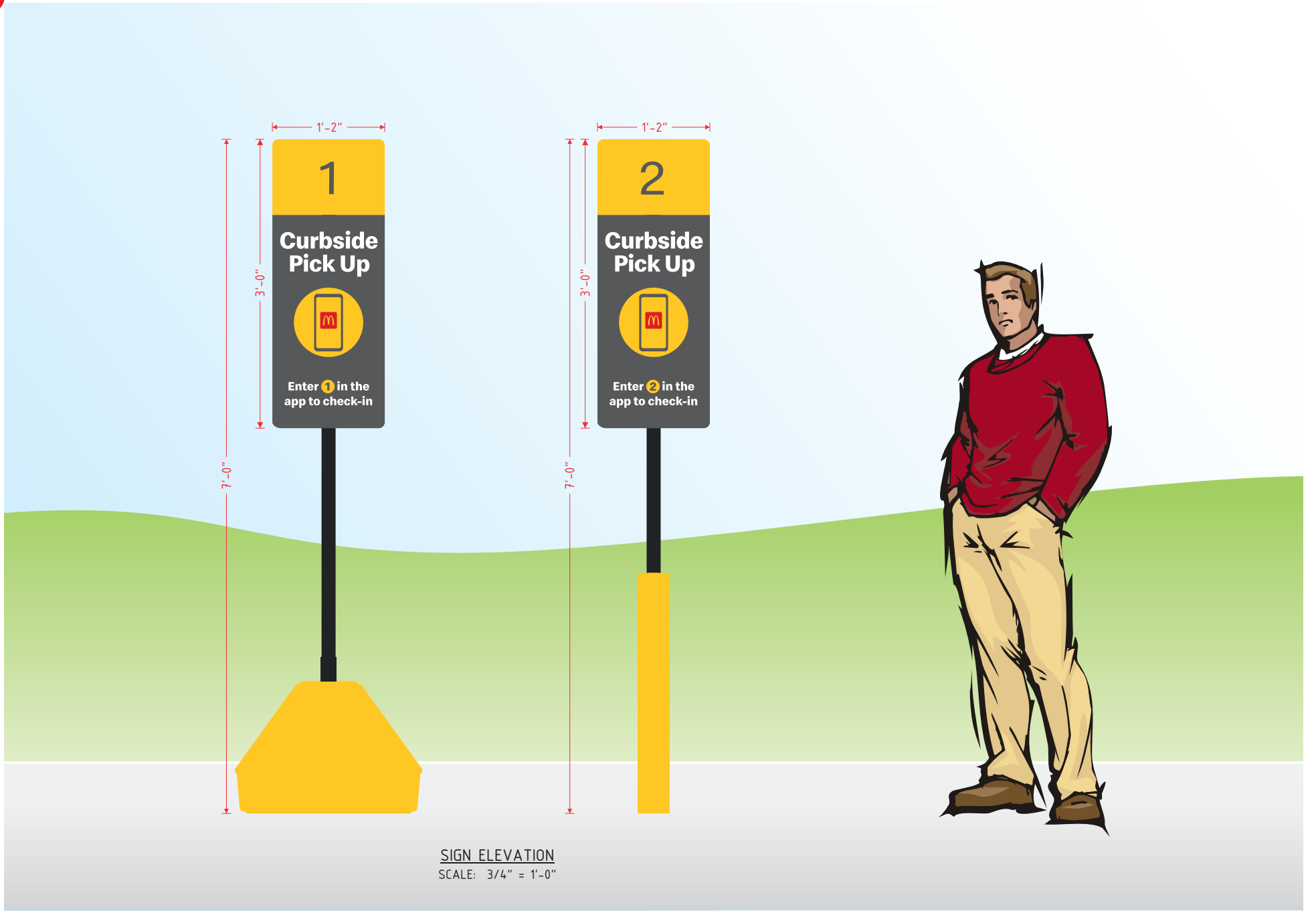


PLAN VIEW  
SCALE: 3" = 1'-0"

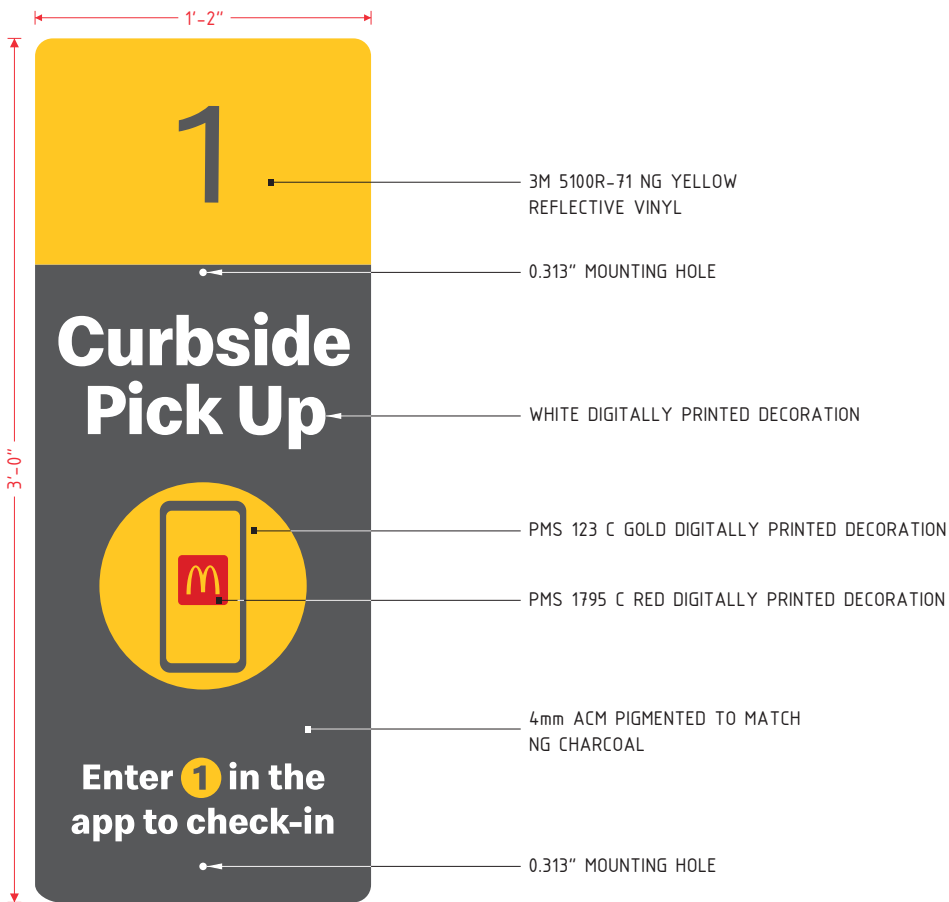


**AVAILABLE FACES**  
SCALE: 1/2" = 1'-0"

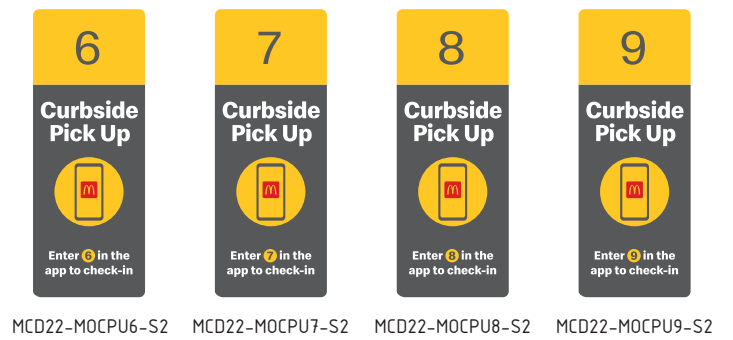
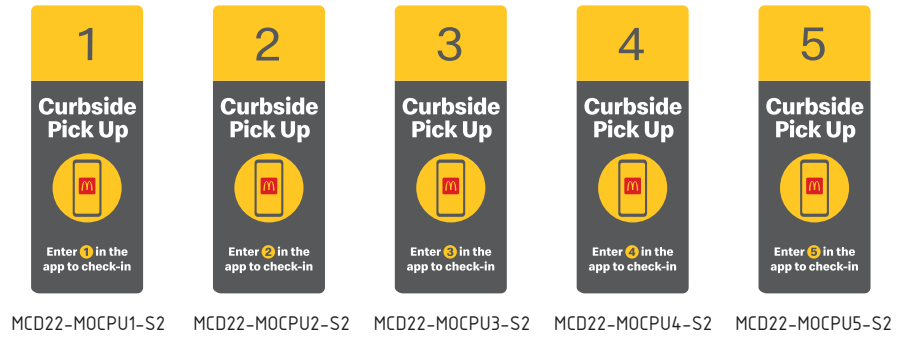
**DRIVE THRU RESERVED SIGN DETAIL**  
DESIGN FACTOR: TBD  
4mm ACM PIGMENTED TO MATCH NG CHARCOAL  
WHITE DIGITALLY PRINTED GRAPHICS  
REFLECTIVE YELLOW VINYL NUMBER BACKGROUND  
3.50 SQUARE FEET



**SIGN ELEVATION**  
SCALE: 3/4" = 1'-0"

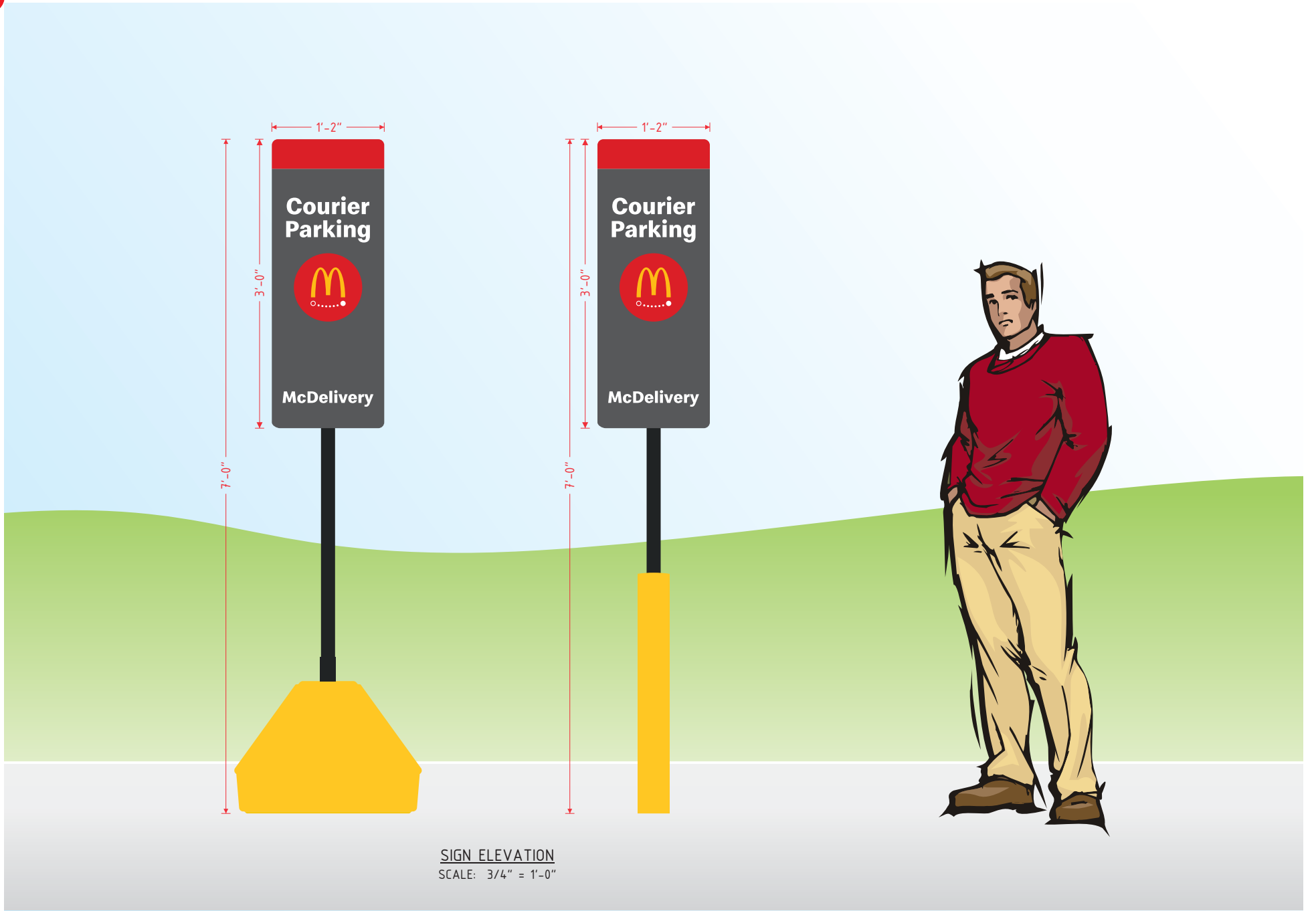


**GRAPHIC DETAIL**  
SCALE: 1 1/2" = 1'-0"

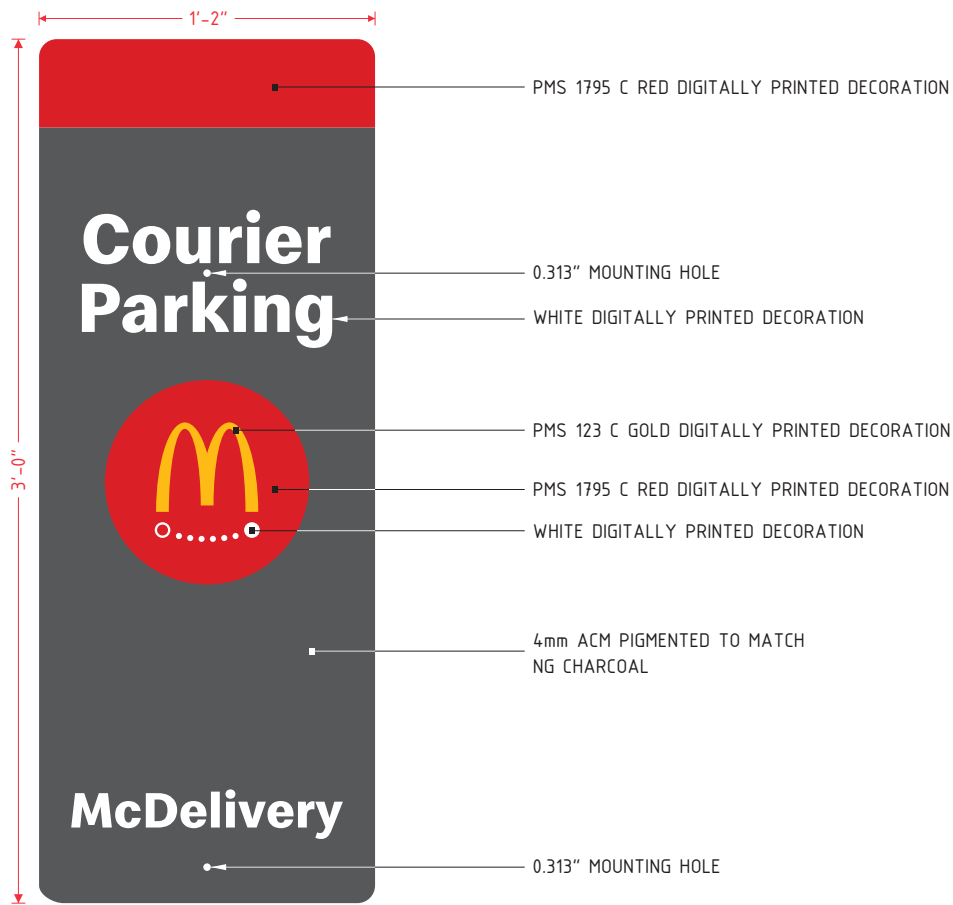


**AVAILABLE FACES**  
SCALE: 1/2" = 1'-0"

**MOBILE ORDER CURBSIDE PICKUP SIGN DETAIL**  
DESIGN FACTOR: TBD  
4mm ACM PIGMENTED TO MATCH NG CHARCOAL  
WHITE, YELLOW, & RED DIGITALLY PRINTED GRAPHICS  
REFLECTIVE YELLOW VINYL NUMBER BACKGROUND  
3.50 SQUARE FEET



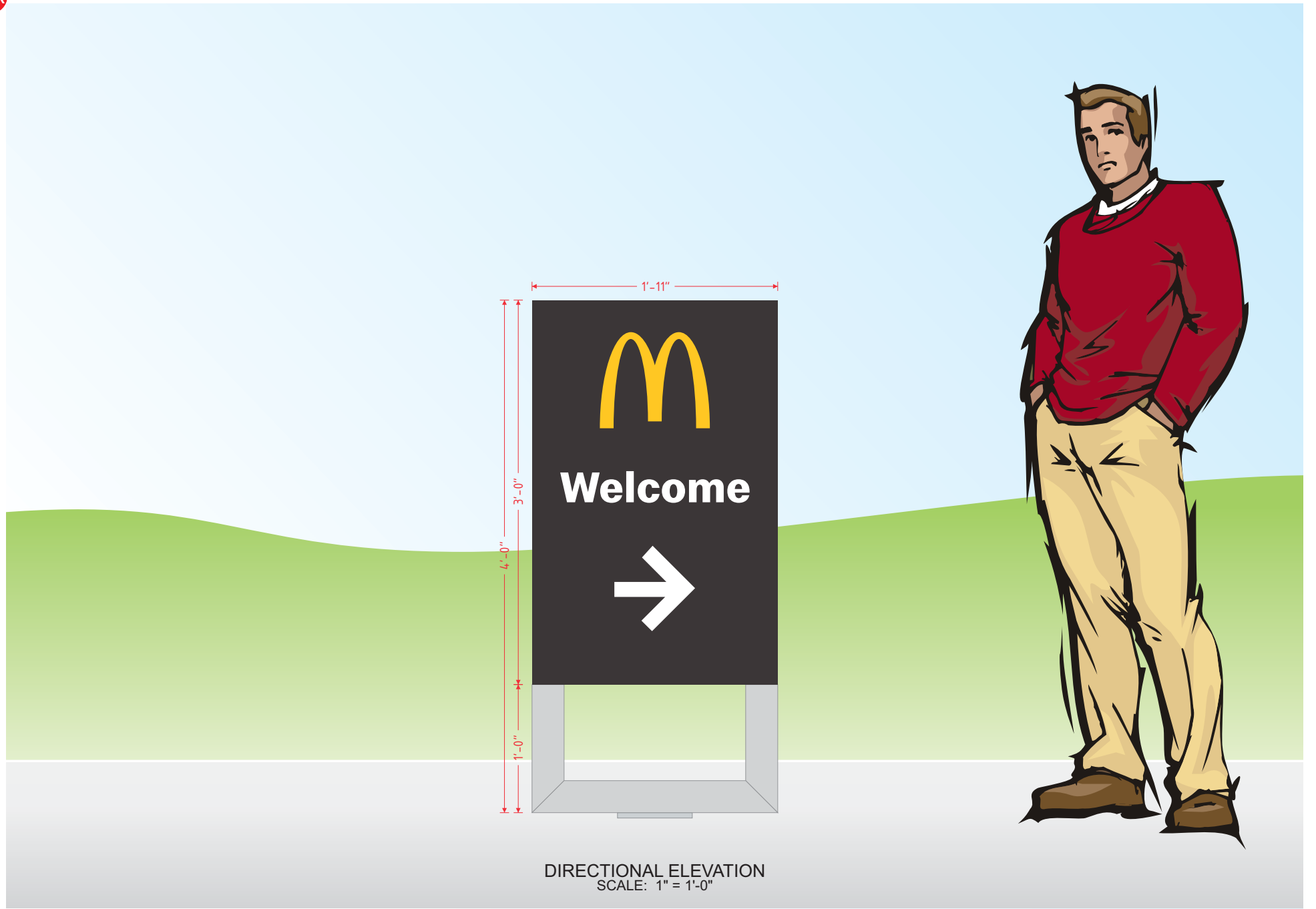
**SIGN ELEVATION**  
SCALE: 3/4" = 1'-0"



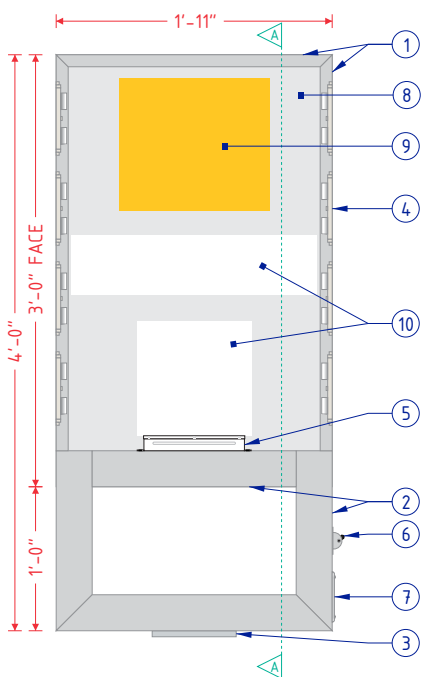
**GRAPHIC DETAIL**  
SCALE: 1 1/2" = 1'-0"

**COURIER PARKING SIGN DETAIL**

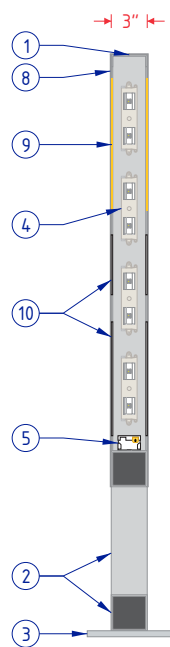
DESIGN FACTOR: TBD  
4mm ACM PIGMENTED TO MATCH NG CHARCOAL  
WHITE, YELLOW, & RED DIGITALLY PRINTED GRAPHICS  
REFLECTIVE YELLOW VINYL NUMBER BACKGROUND  
3.50 SQUARE FEET



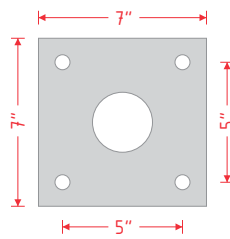
DIRECTIONAL ELEVATION  
SCALE: 1" = 1'-0"



FRAME & LAMP DETAIL  
SCALE: 3/4" = 1'-0"



CROSS SECTION A-A  
SCALE: 3/4" = 1'-0"



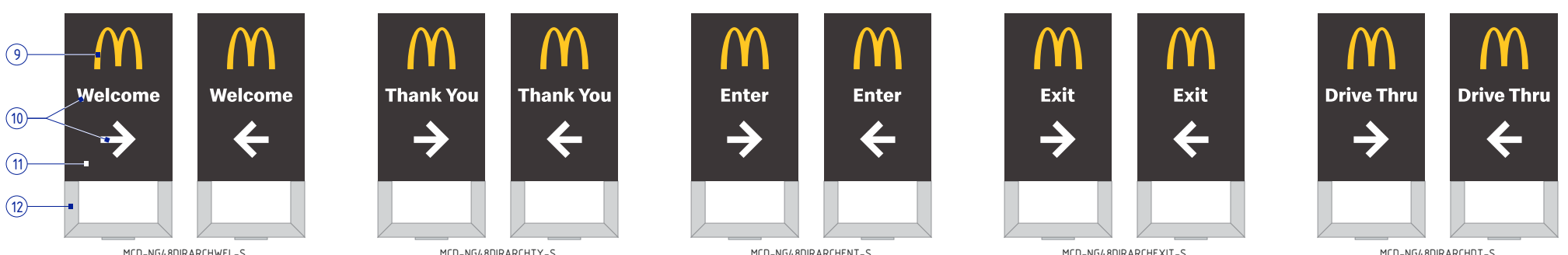
1/2" X 7" X 7" ALUMINUM PLATE  
5/8" BOLT HOLES  
2 1/2" CENTER HOLE

PLATE DETAIL  
SCALE: 1 1/2" = 1'-0"

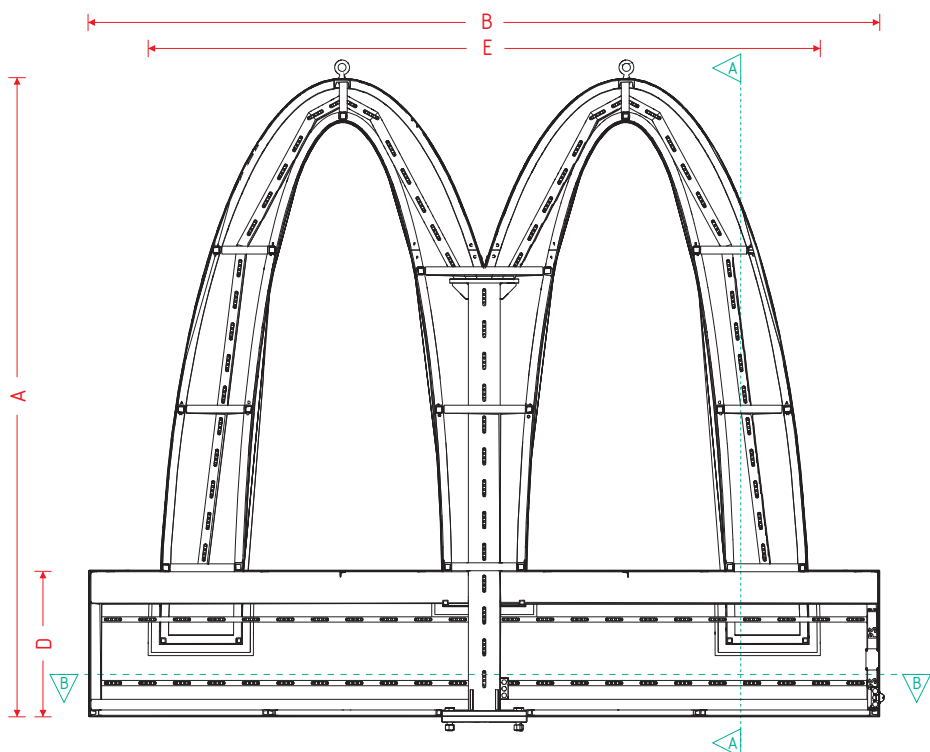
MCDONALD'S 48" NEXT GEN DIRECTIONAL SPECIFICATIONS	
NO.	PART/DESCRIPTION
1	3" X 1" X 1/8" ALUMINUM C-CHANNEL
2	3" X 3" X 1/8" ALUMINUM TUBE
3	MOUNTING PLATE (SEE PLATE DETAIL)
4	WHITE LED'S AS REQUIRED
5	LED POWER SUPPLIES AS REQUIRED
6	DISCONNECT SWITCH
7	ELECTRICAL CONNECTION ACCESS THROUGH COVER
8	.080" ROUTED ALUMINUM SHOTBOX FACES
9	.118" NG YELLOW SOLAR GRADE POLYCARBONATE BACKER PANEL
10	.118" NG WHITE SOLAR GRADE POLYCARBONATE BACKER PANEL
11	POWDERCOAT HENTZEN #P90353APC (OR PAINT TO MATCH)
12	PAINT TO MATCH SILVER OR METALLIC GRAY

NOTES:

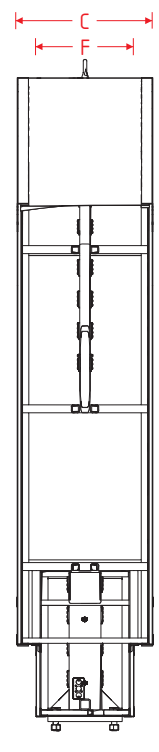
- DESIGN FACTOR: TO BE DETERMINED
- 3" X 1/8" ALUMINUM C-CHANNEL FRAME
- ROUTED ALUMINUM SHOTBOX FACES
- EXTERIOR FINISH:  
FACES - POWDERCOAT HENTZEN #P90353APC (OR PAINT TO MATCH)  
TUBES AND PLATE - PAINT SILVER OR METALLIC GRAY
- INTERIOR FINISH: PAINT REFLECTIVE WHITE
- FACES REMOVABLE FOR SERVICE ACCESS
- U.L. LISTED
- ELECTRICAL: 1.10 AMPS/120 VOLTS
- SQUARE FOOTAGE:  
FACE = 5.75  
DISPLAY = 7.67



GRAPHIC DETAIL  
SCALE: 3/8" = 1'-0"



FRAME & LIGHTING DETAIL  
NOT TO SCALE

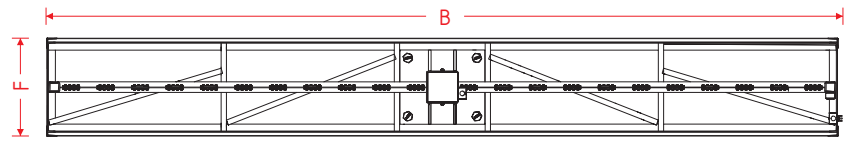


CROSS SECTION A-A  
NOT TO SCALE

- SPECIFICATIONS**
- STEEL SQUARE TUBE FRAME
  - FLAT ALUMINUM RETAINERS
  - EXTERIOR FINISH:
    - ARCH FRAME: PAINT TO MATCH NG YELLOW
    - KEYSTONE FRAME: PAINT TO MATCH NG RED
  - INTERIOR FINISH: PAINT REFLECTIVE WHITE
  - U.L. LISTED
  - DISCONNECT SWITCH LOCATED AT END OF KEYSTONE CA
  - 24 GA SKINS
  - RETAINERS REMOVABLE FOR SERVICE ACCESS
  - GE 5000K WHITE LED'S AS REQUIRED
  - ARCH FACE: .118" NG YELLOW POLYCARBONATE 1/2" EMBOSSED FACE (UNDER RETAINER)
  - KEYSTONE FACE: .150" NG RED POLYCARBONATE 1/2" EMBOSSED FACE (UNDER RETAINER)
  - PLATE/MATCH PLATE INSTALLATION
  - \* MATCH PLATE TO BE ORDERED SEPARATELY

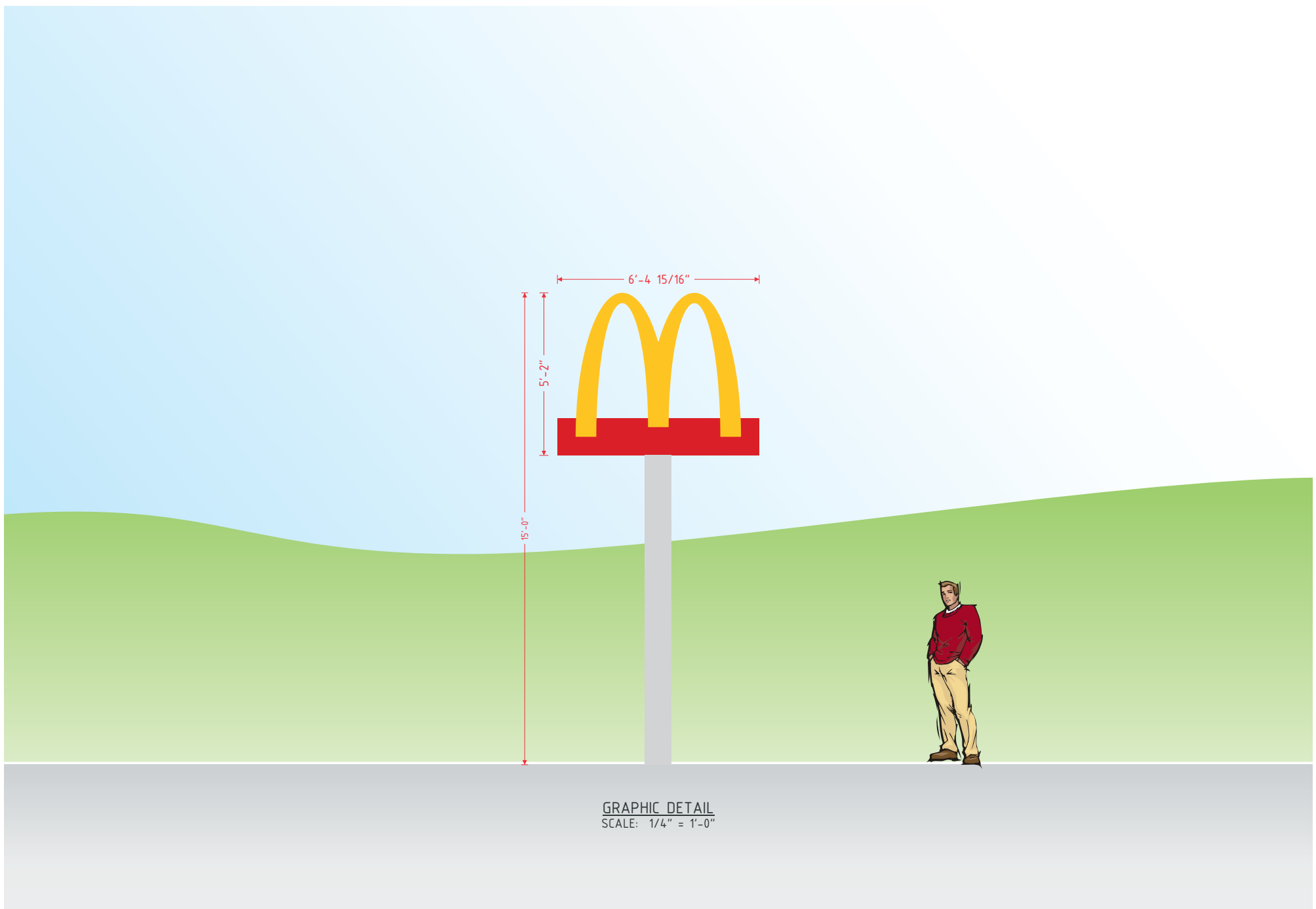


GRAPHIC DETAIL  
NOT TO SCALE



CROSS SECTION B-B  
NOT TO SCALE

ITEM	OVERALL HEIGHT	OVERALL LENGTH	ARCH DEPTH	KEYSTONE HEIGHT	ARCH LENGTH	KEYSTONE DEPTH	ARCH FACE PIECES	MOUNTING PLATE	MAX PIPE / TUBE OD SIZE	ELECTRICAL	BOXED SQ FT	ACTUAL SQ FT
	A	B	C	D	E	F						
MCD20-5X6DRHWYSGN-S	5'-2"	6'-4 15/16"	1'-7 3/8"	1'-2 3/16"	5'-3 1/16"	1'-1 9/16"	1	10" X 10" X 3/4"	6 5/8" / 5"	1) 20A /120V CIRCUIT	33.13	16.34
MCD20-8X9DRHWYSGN-S	8'-0"	9'-11 1/8"	1'-7 3/8"	1'-9 15/16"	8'-1 5/8"	1'-1 9/16"	4	11" X 15" X 3/4"	10 3/4" / 10"	1) 20A /120V CIRCUIT	79.42	39.17
MCD20-10X12DRHWYSGN-S	10'-0"	12'-4 15/16"	2'-0 3/16"	2'-3 7/16"	10'-2 1/16"	1'-4 15/16"	4	14" X 16" X 1"	12 3/4" / 10"	1) 20A /120V CIRCUIT	124.11	61.2
MCD20-11X14DRHWYSGN-S	11'-6"	14'-3 1/4"	2'-9 7/8"	2'-7 9/16"	11'-8 3/8"	2'-0"	4	21" X 21" X 1"	14" / 14"	1) 20A /120V CIRCUIT	164.11	80.94



GRAPHIC DETAIL  
SCALE: 1/4" = 1'-0"