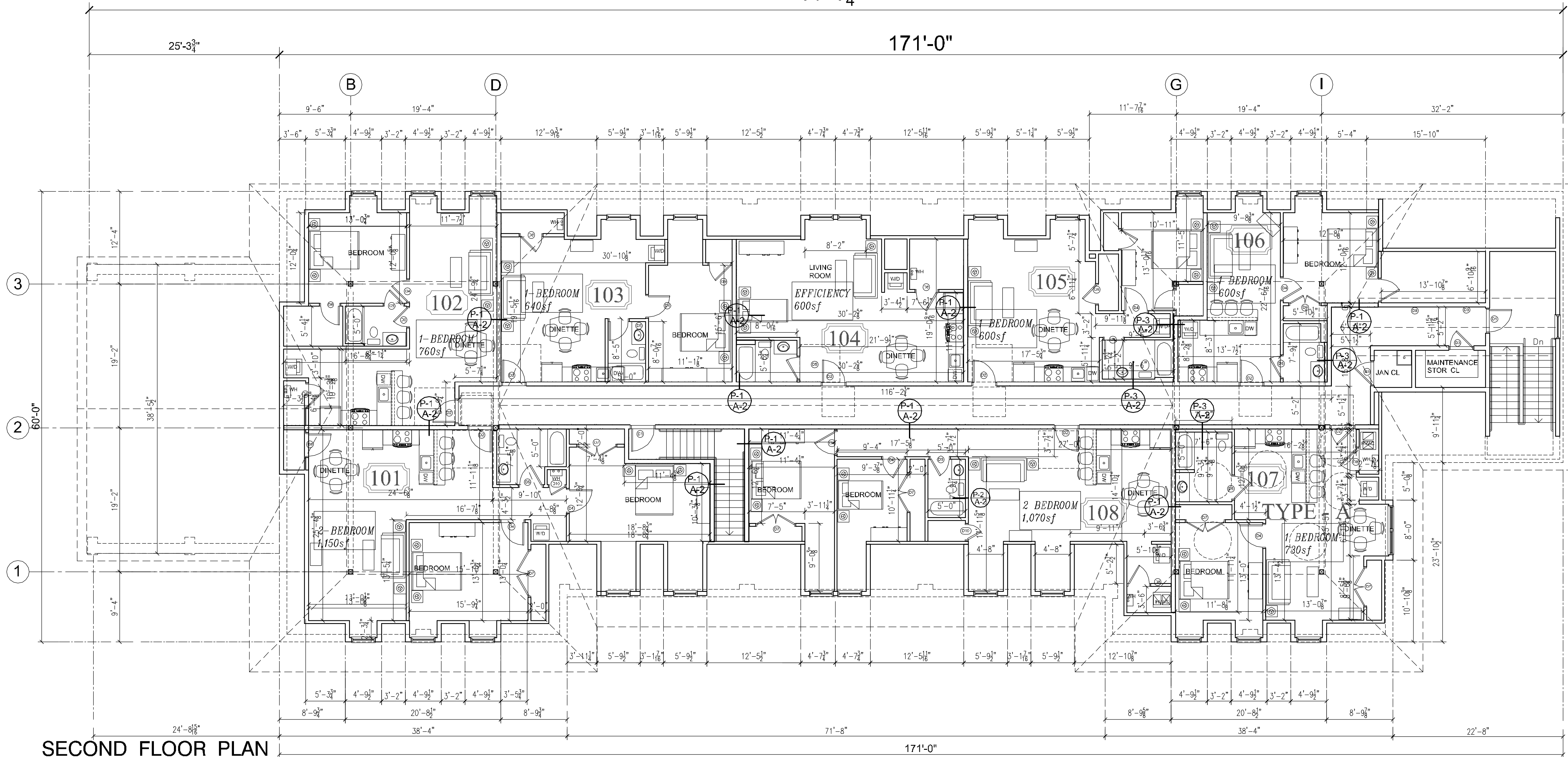


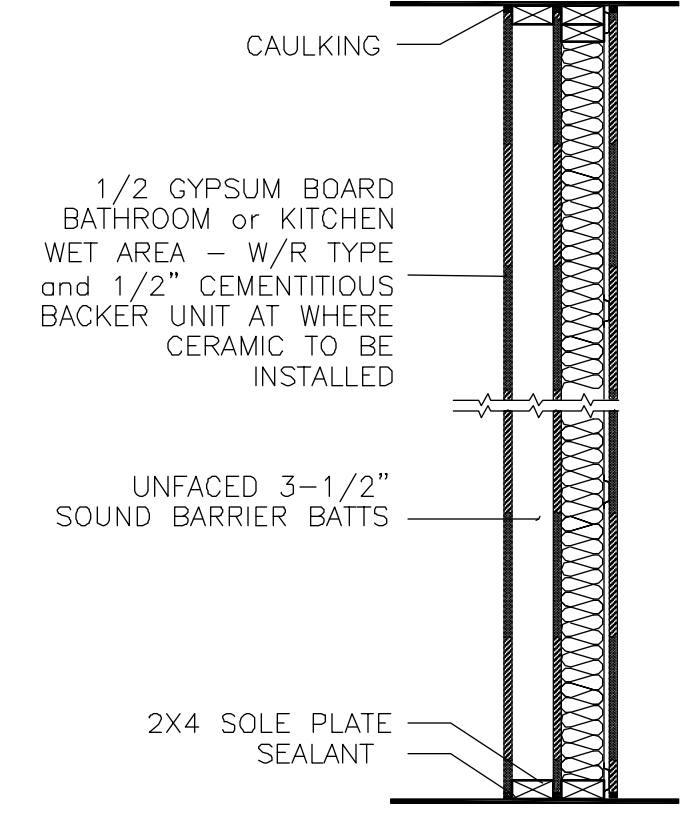
196'-3³/₄"

171'-0"



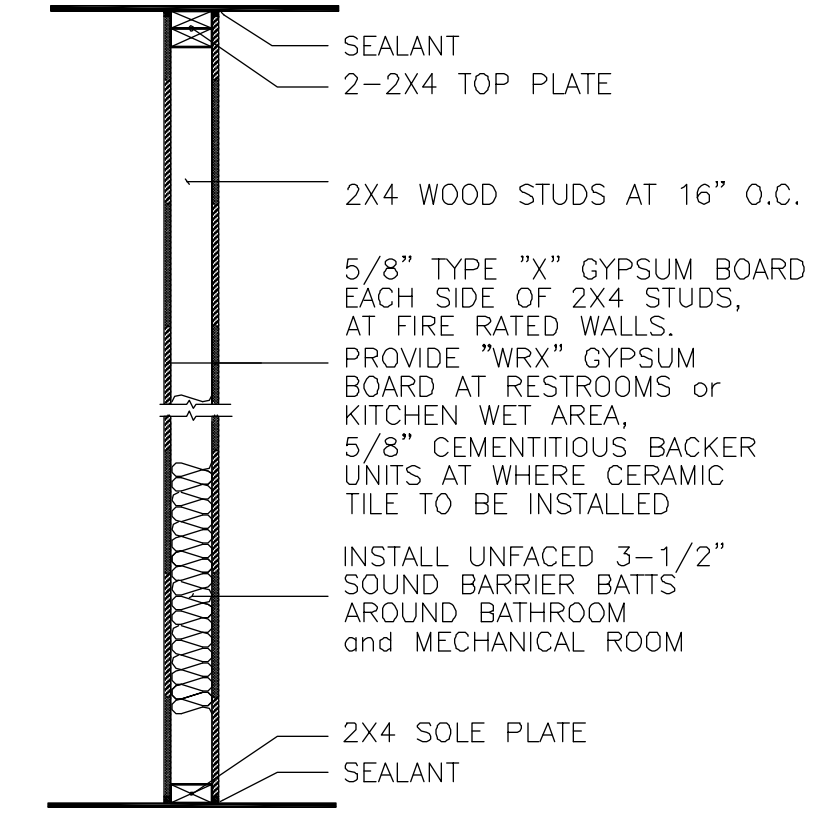
SECOND FLOOR PLAN

SCALE - 3/16" = 1'-0"



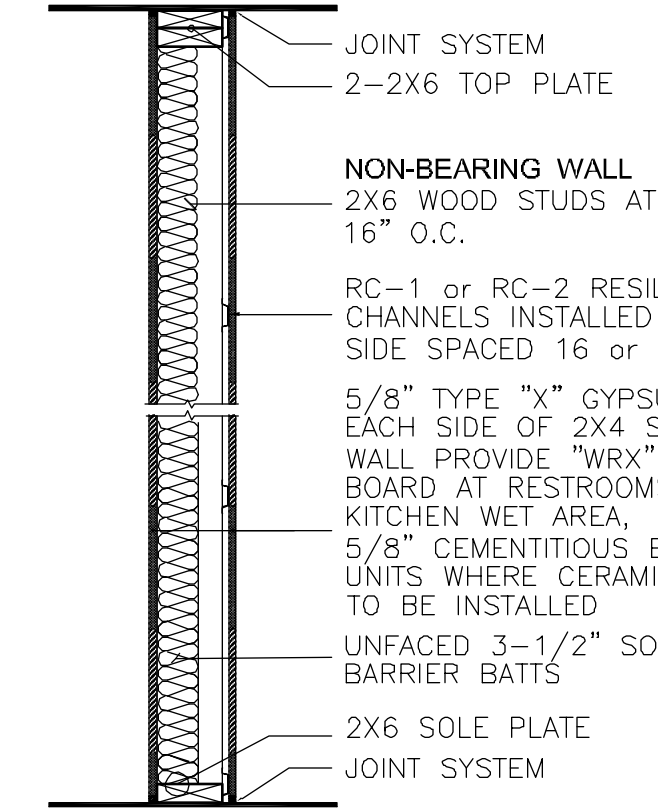
P-3 A-2 DETAIL

PLUMBING WALL AT FIREWALL
UL DESIGN NO. U327 or U331
FIRERESISTANCE RATING = 1-Hr



P-2 A-2 DETAIL

SCALE 3/4" = 1'-0"



P-1 A-2 DETAIL

UL DESIGN NO. U327 or U331
FIRERESISTANCE RATING = 1-Hr
STC RATING = 50
"OWENS CORNING"
3-1/2" QUIETZONE ACOUSTICAL BATTS
FIRE TEST No. : OSU T-3127, FIRE-RATING : 1-Hr
STC TEST No. NRC-TL-93-098, STC = 50
STC TEST No. RAL-TL-77-138, STC = 50

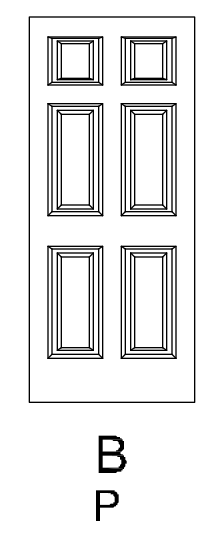
P-1 A-2 DETAIL

SCALE 3/4" = 1'-0"

ABBREVIATIONS

- FRAME
- AL - ALUMINUM
- HM - HOLLOW METAL
- WD - WOOD
- S/S - STAINLESS STEEL
- TYPE
- BF - BIFOLD
- EP - EMBOSSED PANEL
- FF - FULL FLUSH
- FG - FULL GLASS
- FL - FULL LOUVER
- HL/H - HALF LOUVER
- VP - VISION PANEL
- NK - NARROW LIGHT
- MD - METAL DOOR
- PD - POCKET DOOR
- SL - SLIDING DOOR
- VL - VISION LITE
- VP - VISION PANEL
- FINISH
- BY - BIRCH VENEER
- FF - FACTORY FINISHED
- FR - FACTORY RIMMED
- LV - LAUAN VENEER
- P - PAINTED
- S - STAIN
- HARDWARE
- APB - HANDICAP PUSH BAR
- APH - HANDICAP PULL HANDLE
- BFHM - BIFOLDING DOOR HARDWARE
- CL-1 - STANDARD-DUTY BARRIER-FREE
- HYDRA - HYDRAULIC DOOR CLOSER
- PHYS - PHYSICALLY HANDICAPPED ACCESSIBILITY
- CL-2 - DOOR CLOSER
- DCL - DOOR SELF-CLOSING DEVICE
- DST - DOOR STOP
- FWS - FULLY WEATHERSTRIPPED
- HAS - HANDICAPPED BARRIER-FREE
- ALUM - ALUMINUM SILL
- WP - WORK PANEL
- LH - LEVER HANDLES
- PN - PANIC DEVICE
- PFH - POCKET DOOR HARDWARE
- PH - PEEPHOLE
- PL - PULL PLATE, PULL BAR
- PUSH - PUSH PLATE, PUSH BAR
- DB - DEAD BOLT
- DOOR
- ALG - ALUMINUM FULL GLASS
- FG-1 - INSULATED FIBERGLASS
- HCFD - HOLLOW CORE WOOD BIFOLD DOOR
- M-1 - INSULATED METAL DOOR
- M-2 - HOLLOW METAL DOOR w/ NONCOMBUSTIBLE
- M-3 - HOLLOW METAL DOOR w/ HONEYCOMB CORE
- M-4 - HOLLOW METAL DOOR w/ STEEL STRIPPED CORE
- MD-1 - SOLID MOLDED DOOR
- MD-2 - HOLLOW CORE MOLDED DOOR
- MD-3 - HOLLOW CORE MOLDED BIFOLD DOOR
- MD-4 - HOLLOW CORE MOLDED BIFOLD DOOR
- WD-1 - SOLID CORE WOOD DOOR
- WD-2 - MINERAL CORE WOOD FIRE DOOR
- WD-3 - FULL GLASS WOOD DOOR
- WD-4 - WOOD PANEL DOOR
- WD-5 - PINE PANEL DOOR
- WDF-1 - SOLID CORE WOOD BIFOLD DOOR
- WDF-2 - HOLLOW CORE WOOD BIFOLD DOOR
- WDF-3 - WOOD PANEL BIFOLD DOOR
- WDF-4 - SOLID CORE WOOD DOOR
- WDF-5 - SOLID CORE WOOD DOOR
- WDF-6 - SOLID CORE WOOD DOOR
- WDF-7 - SOLID CORE WOOD DOOR
- WDF-8 - SOLID CORE WOOD DOOR
- WDF-9 - HOLLOW CORE WOOD DOOR
- WDF-10 - HOLLOW CORE WOOD DOOR
- WDF-11 - HOLLOW CORE WOOD DOOR
- WDF-12 - HOLLOW CORE WOOD DOOR
- WDF-13 - HOLLOW CORE WOOD DOOR
- WDF-14 - HOLLOW CORE WOOD DOOR
- WDF-15 - HOLLOW CORE WOOD DOOR
- WDF-16 - HOLLOW CORE WOOD DOOR
- WDF-17 - HOLLOW CORE WOOD DOOR
- WDF-18 - HOLLOW CORE WOOD DOOR
- WDF-19 - HOLLOW CORE WOOD DOOR
- WDF-20 - HOLLOW CORE WOOD DOOR
- WDF-21 - HOLLOW CORE WOOD DOOR
- WDF-22 - HOLLOW CORE WOOD DOOR
- WDF-23 - HOLLOW CORE WOOD DOOR
- WDF-24 - HOLLOW CORE WOOD DOOR
- WDF-25 - HOLLOW CORE WOOD DOOR
- WDF-26 - HOLLOW CORE WOOD DOOR
- WDF-27 - HOLLOW CORE WOOD DOOR
- WDF-28 - HOLLOW CORE WOOD DOOR
- WDF-29 - HOLLOW CORE WOOD DOOR
- WDF-30 - HOLLOW CORE WOOD DOOR
- WDF-31 - HOLLOW CORE WOOD DOOR
- WDF-32 - HOLLOW CORE WOOD DOOR
- WDF-33 - HOLLOW CORE WOOD DOOR
- WDF-34 - HOLLOW CORE WOOD DOOR
- WDF-35 - HOLLOW CORE WOOD DOOR
- WDF-36 - HOLLOW CORE WOOD DOOR
- WDF-37 - HOLLOW CORE WOOD DOOR
- WDF-38 - HOLLOW CORE WOOD DOOR
- WDF-39 - HOLLOW CORE WOOD DOOR
- WDF-40 - HOLLOW CORE WOOD DOOR
- WDF-41 - HOLLOW CORE WOOD DOOR
- WDF-42 - HOLLOW CORE WOOD DOOR
- WDF-43 - HOLLOW CORE WOOD DOOR
- WDF-44 - HOLLOW CORE WOOD DOOR
- WDF-45 - HOLLOW CORE WOOD DOOR
- WDF-46 - HOLLOW CORE WOOD DOOR
- WDF-47 - HOLLOW CORE WOOD DOOR
- WDF-48 - HOLLOW CORE WOOD DOOR
- WDF-49 - HOLLOW CORE WOOD DOOR
- WDF-50 - HOLLOW CORE WOOD DOOR

RIVERSIDE DRIVE

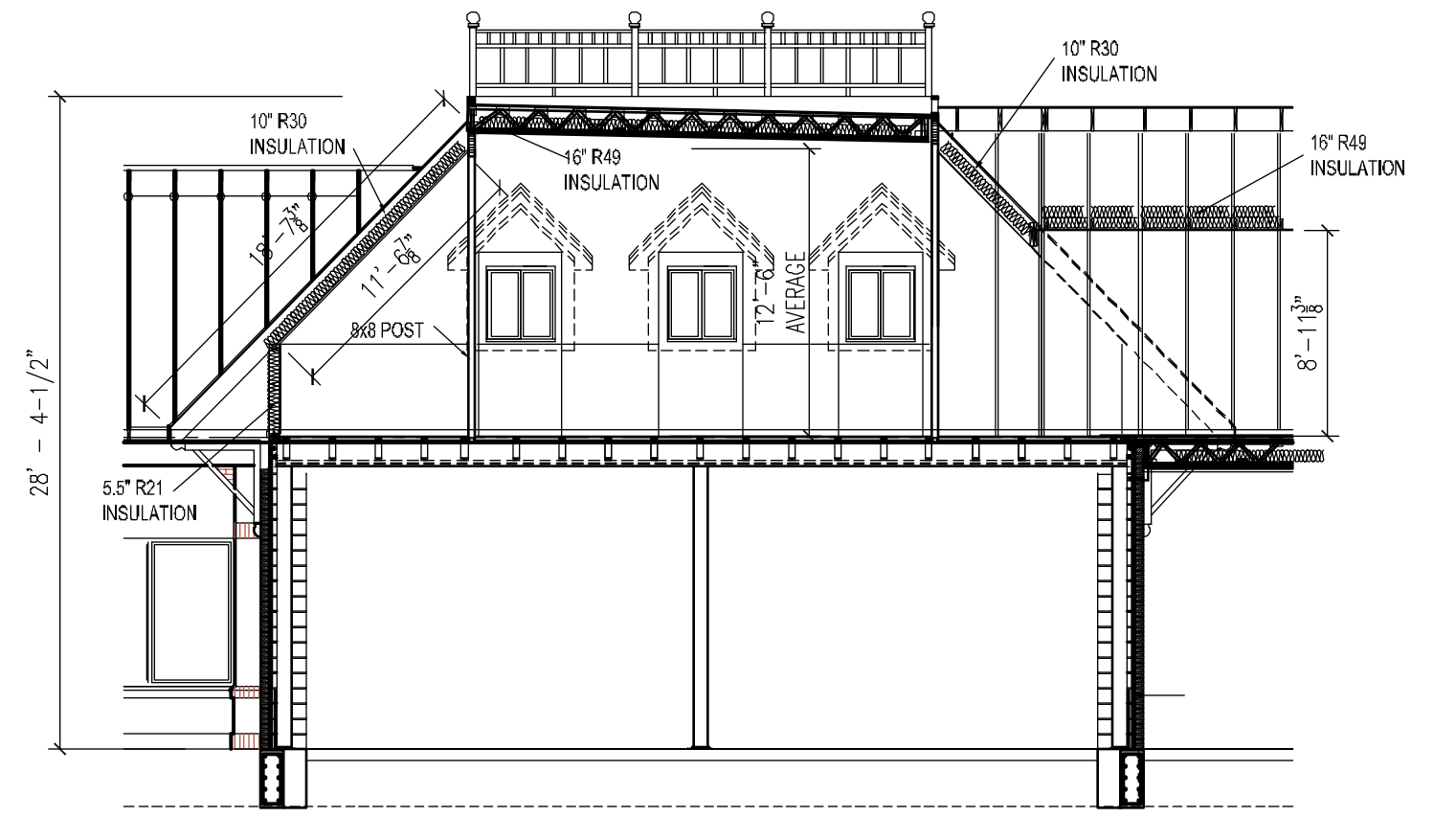


DOOR SCHEDULE

MARK	SIZE	TYPE	FRAME	LABEL	FINISH	HARDWARE	REMARKS
(D1)	3-0 X 7-0 x 1-3/4"	B	MD-1	HM	"C" LABEL, RATING = 45 Min.	PAINT SATIN, DST, PULL, CL-1, PANIC	STAIR ENTRANCE w/ELECTRIC LOCK ON REMOTE
(D2)	3-0 X 7-0 x 1-3/4"	B	MD-1	HM	"C" LABEL, RATING = 45 Min.	PAINT SATIN, DST, LH, CL-1	APARTMENT UNIT ENTRANCE w/ENTRY LOCK
(D3)	3-0 X 7-0 x 1-3/4"	B	MD-1	HM	"C" LABEL, RATING = 45 Min.	PAINT SATIN, DST, PUSH, CL-1	CORRIDOR - UTILITY CLOSETS w/KEYED LOCK SET
(D4)	2-10 X 6-6 x 1-3/8"	B	MD-1	WD	PAINT SATIN	DST, LH	BEDROOM DOOR
(D5)	2-4 X 6-6 x 1-3/8"	B	MD-1	WD	PAINT SATIN	DST, LH	BATHROOM
(D6)	2-4 X 6-6 x 1-3/8"	B	MD-1	WD	PAINT SATIN	DST, LH	CLOSET
(D7)	2-2-6 X 6-8 x 1-3/8"	B	MD-1	WD	PAINT SATIN	DST, LH	CLOSET
(D8)	2-10 X 6-6 x 1-3/8"	B	MD-1	WD	PAINT SATIN	DST, LH	FURNACE CLOSET w/KEYED LOCK SET
(D9)	2-2-0 X 6-8 x 1-3/8"	B	MD-1	WD	PAINT SATIN	LH, DH	CLOSET
(D10)	2-0 X 6-8 x 1-3/8"	B	MD-1	WD	PAINT SATIN	LH, DH	CLOSET

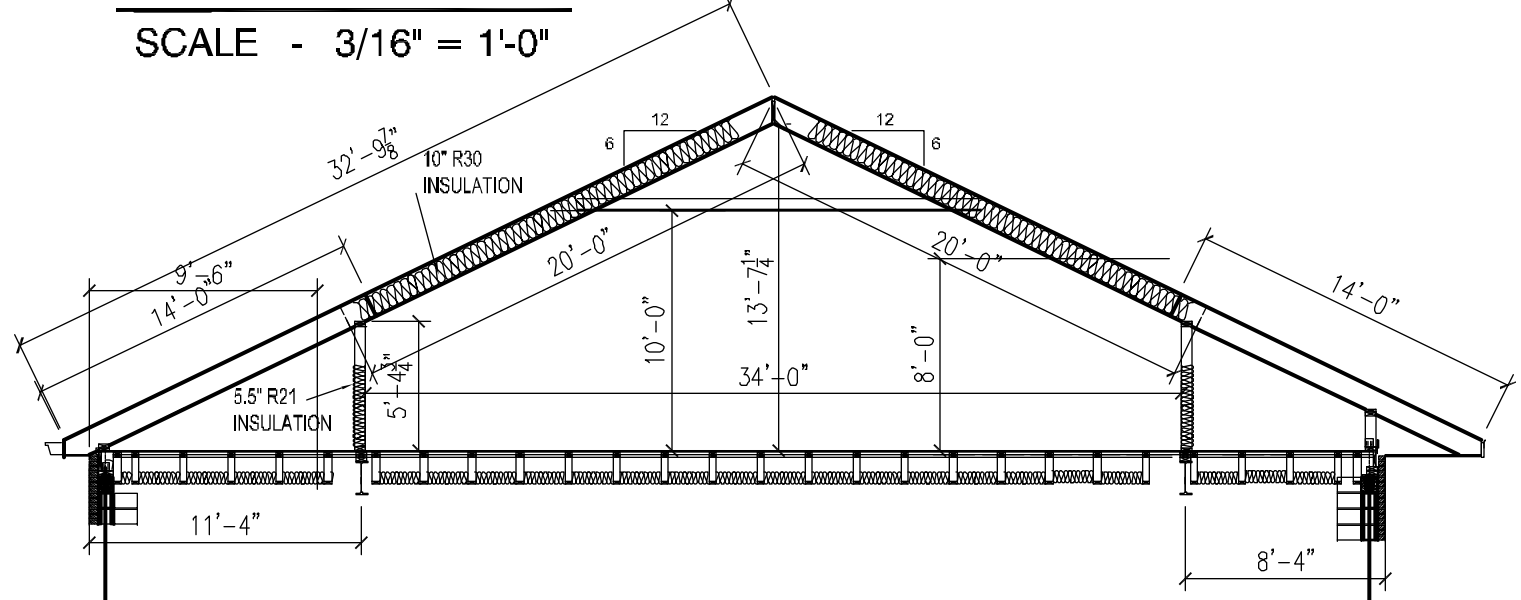
ROOM FINISH SCHEDULE

ROOM NAME DESCRIPTION	FLOOR	BASE	WALLS				CEILING	REMARKS
			N	E	S	W		
COMMON CORRIDOR	3/4"	HD WD	WD	PT	PT	PT	PT	VARIES
UTILITY ROOMS	CER TILE		PT	PT	PT	PT	PT	CEMENT BD FLOOR
TYPICAL DWELLING UNIT								
CORRIDORS	3/4"	HD WD	WD	PT	PT	PT	PT	Gypsum wall board
KITCHEN	3/4"	HD WD	WD	PT	PT	PT	PT	CATHEDRAL CEILINGS IN SOME LOCATIONS.
DINING ROOM	3/4"	HD WD	WD	PT	PT	PT	PT	
LIVING ROOM	3/4"	HD WD	WD	PT	PT	PT	PT	
BEDROOM	3/4"	HD WD	WD	PT	PT	PT	PT	
BATHROOM	3/4"	HD WD	WD	PT	PT	PT	PT	
HALLWAY	3/4"	HD WD	WD	PT	PT	PT	PT	
FURNACE ROOMS	CER TILE	WD	PT	PT	PT	PT	PT	CEMENT BD FLOOR



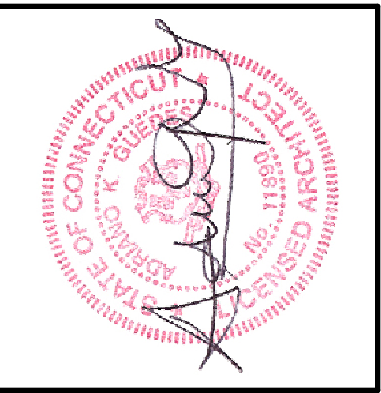
SECTION - A

SCALE - 3/16" = 1'-0"



SECTION - B

SCALE - 3/16" = 1'-0"



NO.	REVISIONS
1	
2	
3	
4	
5	
6	

GUEDES ASSOCIATES, INC.
 Designers, Architects & Project Managers
 1425 Noble Avenue, Bpt., CT. 06610
 Tel. 203-367-5180 Fax. 203-367-4961

date: 12-01-2020
 scale: AS NOTED
 project #: 2006-800
 drawn: J.N. GUEDES

RIVER SIDE COMMERCIAL
 131 CANAL TREET
 SHELTON, CT

SECOND FLOOR
 APARTMENT PLAN



This drawing is the property of the architect. It has been prepared specifically for the owner of this project at this site and is not to be used for any other purpose, location, or owner without the written consent of the architect. Methods of construction shown on this drawing should be followed exactly. Any deviation without architect's consent or supervisor, the architect will not be held responsible for damages.

A-2