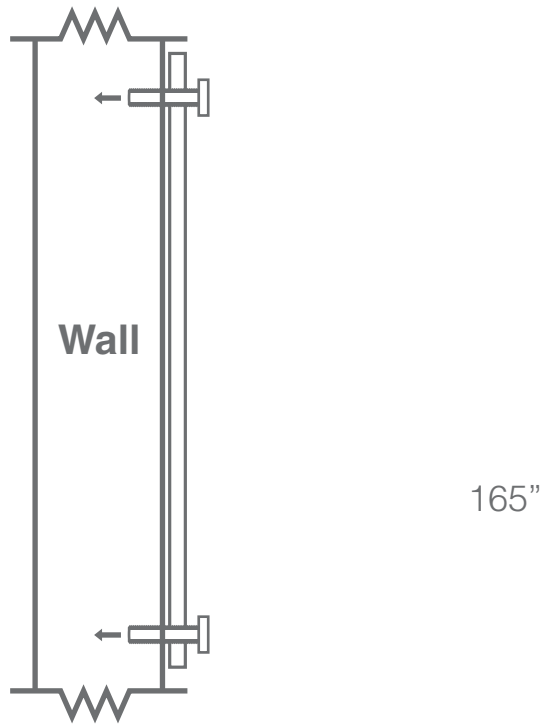


462 Howe Avenue Shelton

Side View of Mounting System



Sign Dimensions

27"x113"

Screws / Mounting

1/4"x2.5" Wood Screws
Every 30in.

Building Material

Stucco w Plywood Backing

Sign Material

3mm" Dibond (ACM)
Aluminum Composite Material
with Plastic Core

165"

220"

Please review and sign this proof for accuracy. Spelling errors and omissions are your responsibility. All artwork presented on this proof is the sole property of Sign-A-Rama, Orange until full payment is received. By signing this proof, you agree to the artwork presented above.

Thank You.



design@signs-ct.com
553 Boston Post Road, Orange CT

203-795-5450
fax - 203-795-5464
signs-ct.com

Connecticut

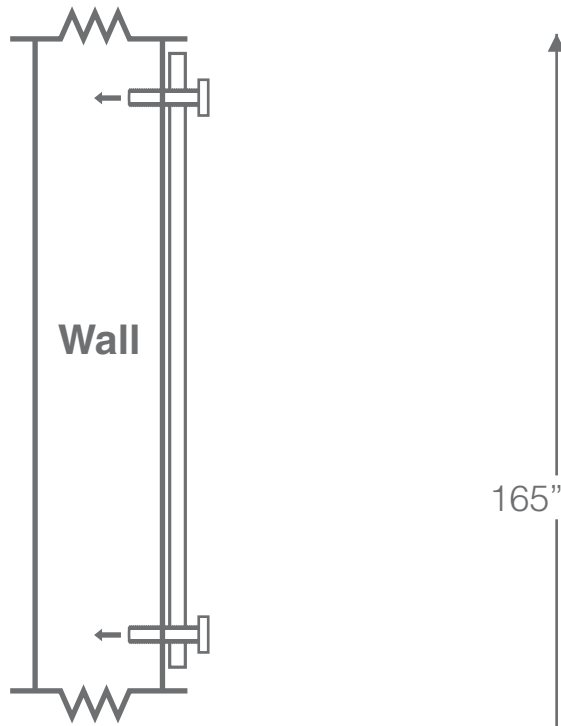
Please Sign Here For Approval:

Signature

Date

462 Howe Avenue Shelton

Side View of Mounting System



Sign Dimensions

27"x113"

Screws / Mounting

1/4"x2.5" Wood Screws
Every 30in.

Building Material

Stucco w Plywood Backing

Sign Material

3mm" Dibond (ACM)
Aluminum Composite Material
with Plastic Core

165"

450"

Please review and sign this proof for accuracy. Spelling errors and omissions are your responsibility. All artwork presented on this proof is the sole property of Sign-A-Rama, Orange until full payment is received. By signing this proof, you agree to the artwork presented above.

Thank You.



Connecticut

design@signs-ct.com
553 Boston Post Road, Orange CT

203-795-5450
fax - 203-795-5464
signs-ct.com

Please Sign Here For Approval:

Signature

Date